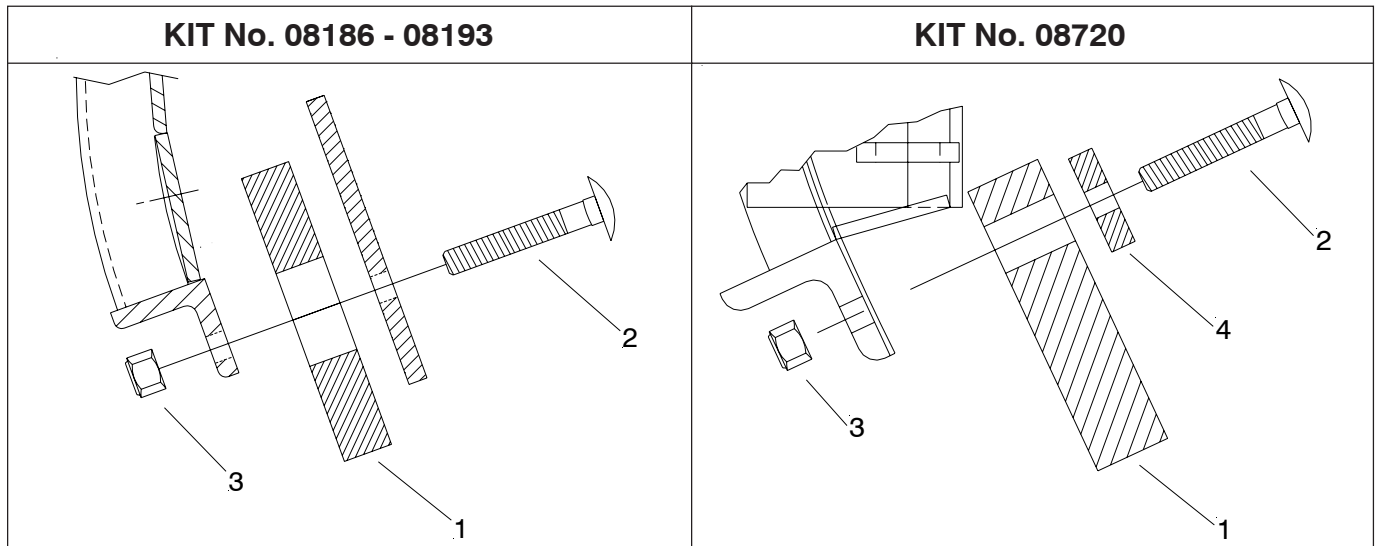


PARTS & INSTALLATION INSTRUCTIONS For Rubber Cutting Edge



Remove existing steel cutting edge from snow plow. Position Rubber Cutting Edge on snow plow as shown and clamp in place by inverting snow plows original steel cutting edge. Fasten together using bolts and locknuts. For best results, runners must be removed. The rubber cutting edge is reversible for extended wear life. Best results will be obtained with wet, unpacked snow. Packed snow or ice cannot be removed with a rubber cutting edge.

Parts List

Item	Part No.	Qty	Description
	08186	1	Kit - Rubber Cut Edge TM,TMP 6.5
1	12433	1	• Rubber Cutting Edge
	08194	1	• Hardware Bag
2	22066	11	•• Bolt C 1/2-13 x 2-3/4 Gr. 5
3	20307	11	•• Locknut 1/2-13
	08187	1	Kit - Rubber Cut Edge ST-78
1	12434	1	• Rubber Cutting Edge
	08197	1	• Hardware Bag
2	22067	8	•• Bolt C 1/2-13 x 3-1/4 Gr. 5
3	20307	8	•• Locknut 1/2-13
	08188	1	Kit - Rubber Cut Edge ST, STP 7.0
1	12435	1	• Rubber Cutting Edge
	08196	1	• Hardware Bag
2	22067	7	•• Bolt C 1/2-13 x 3-1/4 Gr. 5
3	20307	7	•• Locknut 1/2-13
	08189	1	Kit - Rubber Cut Edge ST, STP, C, CP 7.5
1	12436	1	• Rubber Cutting Edge
	08197	1	• Hardware Bag
2	22067	8	•• Bolt C 1/2-13 x 3-1/4 Gr. 5
3	20307	8	•• Locknut 1/2-13
	08190	1	Kit - Rubber Cut Edge C, CP 8.0
1	12437	1	• Rubber Cutting Edge
	08197	1	• Hardware Bag
2	22067	8	•• Bolt C 1/2-13 x 3-1/4 Gr. 5
3	20307	8	•• Locknut 1/2-13

Parts List

Item	Part No.	Qty	Description
	08191	1	Kit - Rubber Cut Edge C, CP 8.5
1	12438	1	• Rubber Cutting Edge
	08198	1	• Hardware Bag
2	22067	9	•• Bolt C 1/2-13 x 3-1/4 Gr. 5
3	20307	9	•• Locknut 1/2-13
	08192	1	Kit - Rubber Cut Edge C, CP, HM, HMP 9.0
1	12439	1	• Rubber Cutting Edge
	08199	1	• Hardware Bag
2	20254	11	•• Bolt C 5/8-11 x 3-1/2 Gr. 5
3	20309	11	•• Locknut 5/8-11
	08193	1	Kit - Rubber Cut Edge HM, HMP 10
1	12440	1	• Rubber Cutting Edge
	08200	1	• Hardware Bag
2	20254	12	•• Bolt C 5/8-11 x 3-1/2 Gr. 5
3	20309	12	•• Locknut 5/8-11
	08720	1	Kit - Rubber Cut Edge V-Plow
1	12207	2	• Rubber Cutting Edge
4	12213	2	• Support Bar
	08721	1	• Hardware Bag
2	22240	10	•• Bolt C 1/2-13 x 3-3/4 Gr. 5
3	20307	10	•• Locknut 1/2-13

Meyer Products reserves the right, under its continuing product improvement program, to change construction or design details, specifications and prices without notice or without incurring any obligations