

The Dual Lock Mounting Kit will secure your Fisher solenoid control to interior vehicle cab surfaces. Possible mounting areas may include the control bracket, front or side of dash, center console, etc. Once the control is properly mounted it can be easily removed and stored.



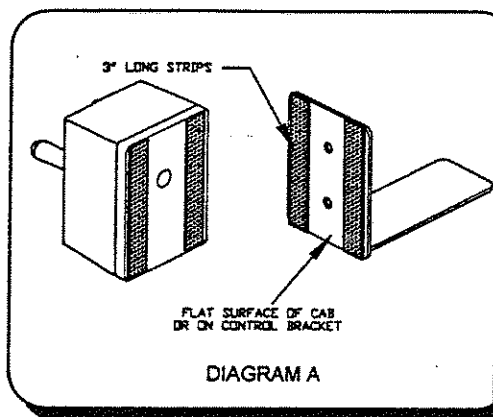
WARNING: Do not mount control in a location that; will interfere with the operation of any vehicle controls, or may cause accidental contact with any occupants.

INSTALLATION: Installation should be done at temperatures above 60 degrees Fahrenheit (15.6 degrees centigrade).

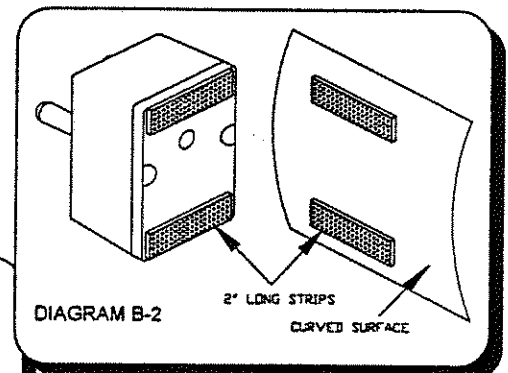
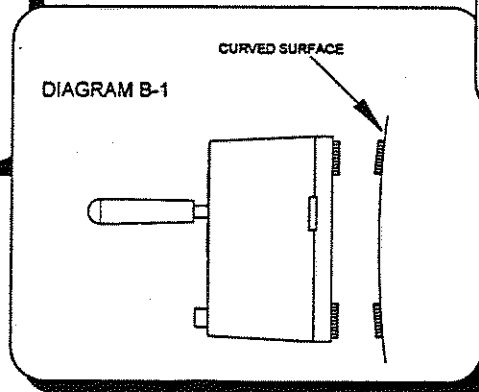
Step 1: Select an area of the cab where the control is to be mounted. Use the 4 foot long control cable extension (part no. 8695) if additional wire length is needed.

Step 2: Clean the installation area and surface of control with isopropyl alcohol or mineral spirits. Allow surfaces to dry for fifteen (15) minutes.

For flat mounting surfaces, use full length locking strips mounted along the length of the control. See diagram A. Strips may be placed on the back or the side of the control (do not obstruct the on/off switch of control).



For curved mounting surfaces, pre-cut the locking strips to 2 inches in length and place the strips parallel to the curved surface. See diagrams B-1 & B-2.



Step 3: Once the selected surfaces are prepared, remove the adhesive back protection strip and press the locking strips into place. Apply pressure across the entire surface to work out any air bubbles which may be trapped.

Step 4: Allow the locking strip adhesive to set for 24 hours before mounting the control to the cab surface.

The solenoid control can be easily removed by applying a sideways lifting motion to the control. Do not apply excessive force to the control. If the control does not release, gently pry up in the opening under the control with a screwdriver or other flat object.

The dual locking strips can be removed from the control and mounting location if no longer needed. Adhesive residue can be cleaned up with mineral spirits.