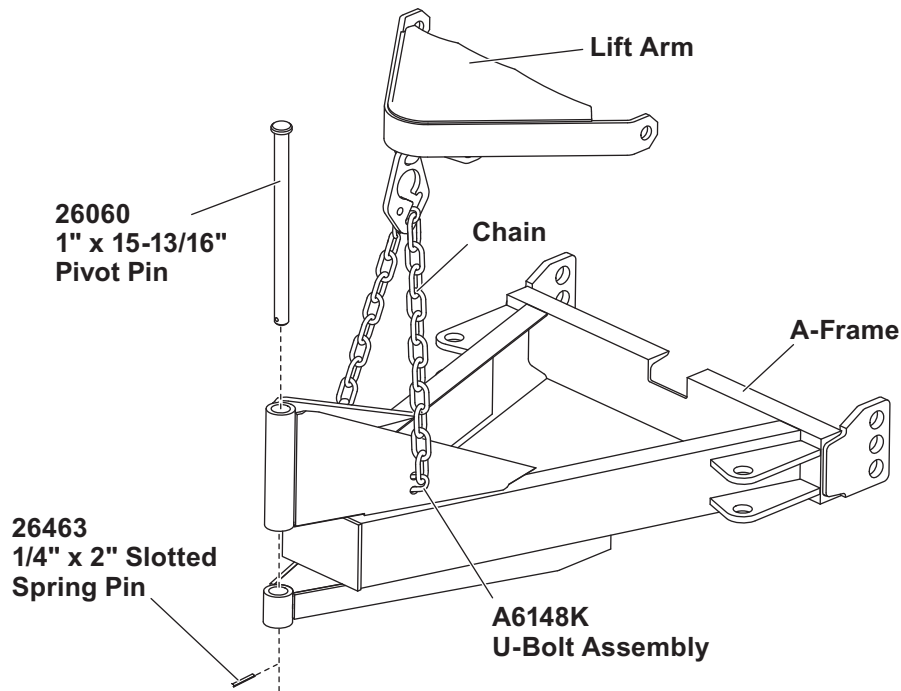




A-FRAME KITS

7-1/2', 8', 8-1/2' and 9' M Series Blades

PARTS LIST



27597 A-Frame Kit – RD/HD/X		
Part	Qty	Description
*	1	A-Frame, RD/HD
8565	1	5/16 x 96 Chain
26088	1	Bolt Bag
*available as part of service kit only		

27598 A-Frame Kit – RD/HD M		
Part	Qty	Description
*	1	A-Frame, RD/HD
8555	1	5/16 x 108 Chain
26088	1	Bolt Bag
*available as part of service kit only		

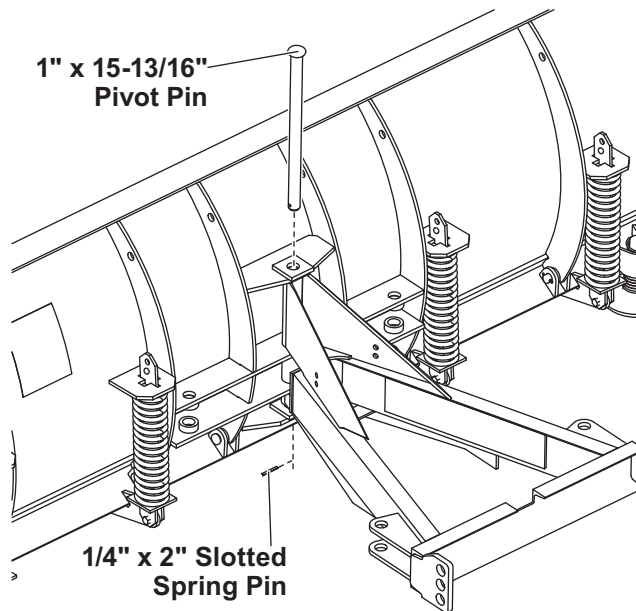
26088 Bolt Bag		
Part	Qty	Description
*	2	3/8-16 U-Bolt
26463	1	1/4 x 2 Slotted Spring Pin
91203	4	3/8 Spring Lock Washer
91413	4	3/8-16 Hex Nut G5
26060	1	1 x 15-13/16 Pivot Pin
*available as part of service kit only		

A6148K U-Bolt Assembly		
Part	Qty	Description
90543	1	3/8-16 U-Bolt G5
91203	2	3/8 Spring Lock Washer
91413	2	3/8-16 Hex Nut G5
*available as part of service kit only		

INSTALLATION INSTRUCTIONS

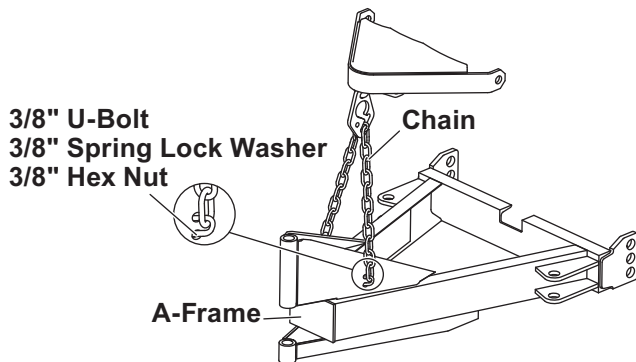
A-Frame to Blade

1. Insert a 1" x 15-13/16" pivot pin down through the blade and A-frame. Install a 1/4" x 2" slotted spring pin through the hole in the bottom of pivot pin.



Attaching the Chain

2. Install a 3/8" U-bolt through an end link in the lift chain. Attach the U-bolt and chain to the two holes on the passenger side of the A-frame with two 3/8" spring lock washers and two 3/8" hex nuts.



3. Measure from the opposite end approximately 32" and install the second U-bolt to the driver side of the A-frame through the stop link (MM2) or pear link (MM). Set the chain so that, when the blade is raised, the A-frame hits the cross member just before the lift cylinder is fully extended. The lift cylinder should extend 10".
4. Adjust the chain from the driver side of A-frame, if needed, and tighten the U-bolts. Torque 3/8" fasteners to 31 ft-lb. Cut the excess chain (MM2) or hook the loose end of the chain in the chain plate on headgear upright (MM).

A-Frame to Headgear/Lowgear

5. Align the holes in the headgear/lowgear with the holes in the A-frame pushers and insert the step pins (MM2) or 1" x 3-5/16" pins (MM) as follows:
 6. **For 27597 only:** Align the middle hole in the A-frame pushers with the holes in the lowgear and insert the pins from **inside to outside**. (This A-frame will not work with the MM2 system.)
 7. **For 27598 only:** Align the middle hole in the A-frame pushers with the holes in the lowgear and insert the pins from outside to inside.
8. Secure pins with two 1/4" x 1-1/2" cotter pins.

Leveling the A-Frame

9. Attach the snowplow to the vehicle according to the installation decal located either in the upper left-hand corner on the back of the blade or on the driver side of the crossmember on the MM2 headgear.
10. With the snowplow attached to a properly ballasted vehicle and the blade lowered to the ground, the A-frame should be parallel with the ground. If the A-frame is not parallel to the ground, correct it by changing the location of the pins from the middle holes in the A-frame pushers to the top or bottom holes accordingly. Raise the blade and ensure proper ground clearance.

MM = Minute Mount®

MM2 = Minute Mount® 2

Copyright © 2009 Douglas Dynamics, L.L.C. All rights reserved. This material may not be reproduced or copied, in whole or in part, in any printed, mechanical, electronic, film or other distribution and storage media, without the written consent of Fisher Engineering. Authorization to photocopy items for internal or personal use by Fisher Engineering outlets or snowplow owner is granted.

Fisher Engineering reserves the right under its product improvement policy to change construction or design details and furnish equipment when so altered without reference to illustrations or specifications used. Fisher Engineering or the vehicle manufacturer may require or recommend optional equipment for snow removal. Do not exceed vehicle ratings with a snowplow. Fisher Engineering offers a limited warranty for all snowplows and accessories. See separately printed page for this important information. The following are registered (®) trademarks of Douglas Dynamics, L.L.C.: FISHER®, Minute Mount®, Minute Mount® 2.

Printed in U.S.A.