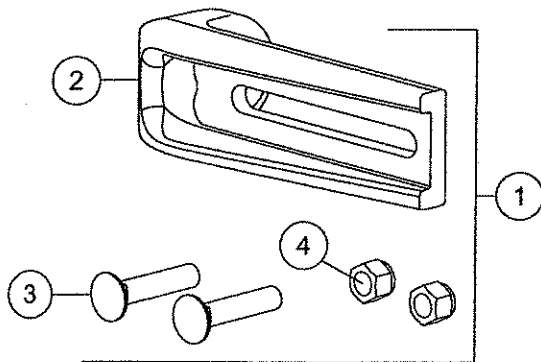


**⚠ WARNING**  
Do not exceed GVWR or GAWR including blade and ballast. The rating label is found on the driver-side vehicle door cornerpost.

**⚠ CAUTION**  
See your sales outlet for application recommendations. Curb guard kit weight information can be found in the Kit Selection Guide/Selection List.

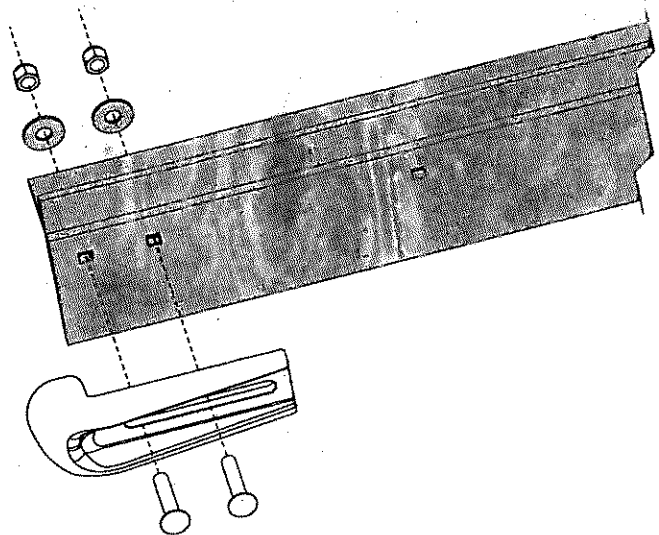
**PARTS LIST**



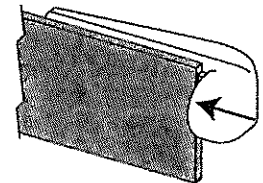
44406 Curb Guard Kit – Pair 5/8 Inch			
Item	Part	Qty	Description
1	44404	2	Curb Guard Kit – Single 5/8 Inch
2		2	Casting – Curb Guard
3		4	5/8-11 x 3 Carriage Bolt G5
4		4	5/8-11 Hex Locknut GB
G = grade			

**INSTALLATION INSTRUCTIONS**

1. If a cutting edge is already installed, remove the last two carriage bolts on the end of the blade. Retain any washers for reinstallation.
2. Insert two carriage bolts through the curb guard, blade and cutting edge (if present).



3. Put locknuts onto the carriage bolts and hand tighten. If a cutting edge was present, reinstall the washers retained when the cutting edge fasteners were removed.
4. Slide the casting inward until it is tight against the edge of the blade.
5. Tighten the first carriage bolt then the second to 115 ft-lb.



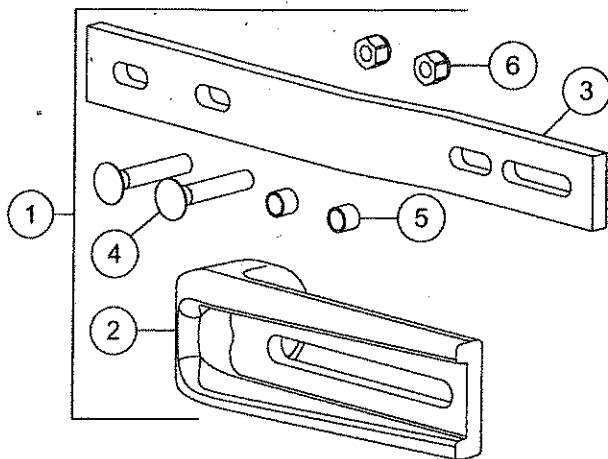
Copyright © 2006 Douglas Dynamics, L.L.C. All rights reserved. This material may not be reproduced or copied, in whole or in part, in any printed, mechanical, electronic, film or other distribution and storage media, without the written consent of the company. Authorization to photocopy items for internal or personal use by the company's outlets or snowplow owner is granted.

The company reserves the right under its product improvement policy to change construction or design details and furnish equipment when so altered without reference to illustrations or specifications used. This equipment manufacturer or the vehicle manufacturer may require or recommend optional equipment for snow removal. Do not exceed vehicle ratings with a snowplow. The company offers a limited warranty for all snowplows and accessories. See separately printed page for this important information.

**⚠ WARNING**  
Do not exceed GVWR or GAWR including blade and ballast. The rating label is found on the driver-side vehicle door cornerpost.

**⚠ CAUTION**  
See your sales outlet for application recommendations. Curb guard kit weight information can be found in the Kit Selection Guide/Selection List.

**PARTS LIST**

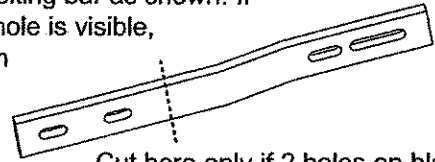


44405 Curb Guard Kit – Pair 1/2 Inch			
Item	Part	Qty	Description
1	44403	2	Curb Guard Kit – Single 1/2 Inch
2		2	Casting – Curb Guard
3		2	Bolting Bar
4		4	1/2-13 x 3 Carriage Bolt G8
5		4	Spacer .625 x .509 x .490
6		4	1/2-13 Hex Locknut GB
G = grade			

**INSTALLATION INSTRUCTIONS**

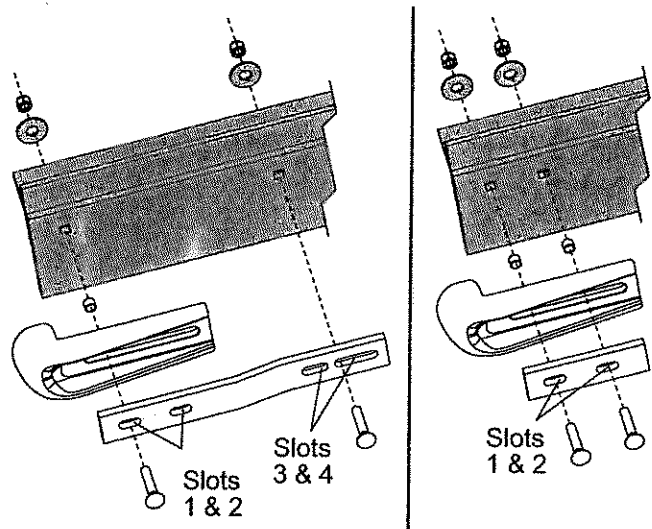
1. If a cutting edge is already installed, remove the last two carriage bolts on the end of the blade. Retain any washers for reinstallation.
2. Hold the curb guard casting against the base of the blade. If the first two cutting edge holes on the blade are visible through the slot in the casting,

trim the bolting bar as shown. If only one hole is visible, do not trim bolting bar.



Cut here only if 2 holes on blade are visible through curb guard.

3. Insert a carriage bolt into the bolting bar. Use Slot 1 if the first hole in the blade is 4" or less from the edge of the blade. Use Slot 2 if the first hole is more than 4" from the edge. Continue passing the carriage bolt through the curb guard, spacer, blade and cutting edge (if present).



4. Put a locknut onto the carriage bolt and hand tighten. If a cutting edge was present, reinstall the washers retained when the cutting edge fasteners were removed.
5. If the bolting bar was trimmed, install another carriage bolt and spacer using Slot 2. If the bolting bar was not trimmed, install another carriage bolt using either Slot 3 or 4. Attach a locknut and hand tighten.

6. Slide the casting inward until it is tight against the edge of the blade.
7. Tighten first carriage bolt then the second to 115 ft-lb.

