



**Fisher Engineering**

**96050**

50 Gordon Drive, Rockland, Maine 04841-2139 • www.fisherplows.com

March 1, 2013  
Lit. No. 96076, Rev. 07

# **Hopper and Drive Components**

## **Model 2500**

### **Low-Profile Tailgate Spreader**

#### **Parts List**

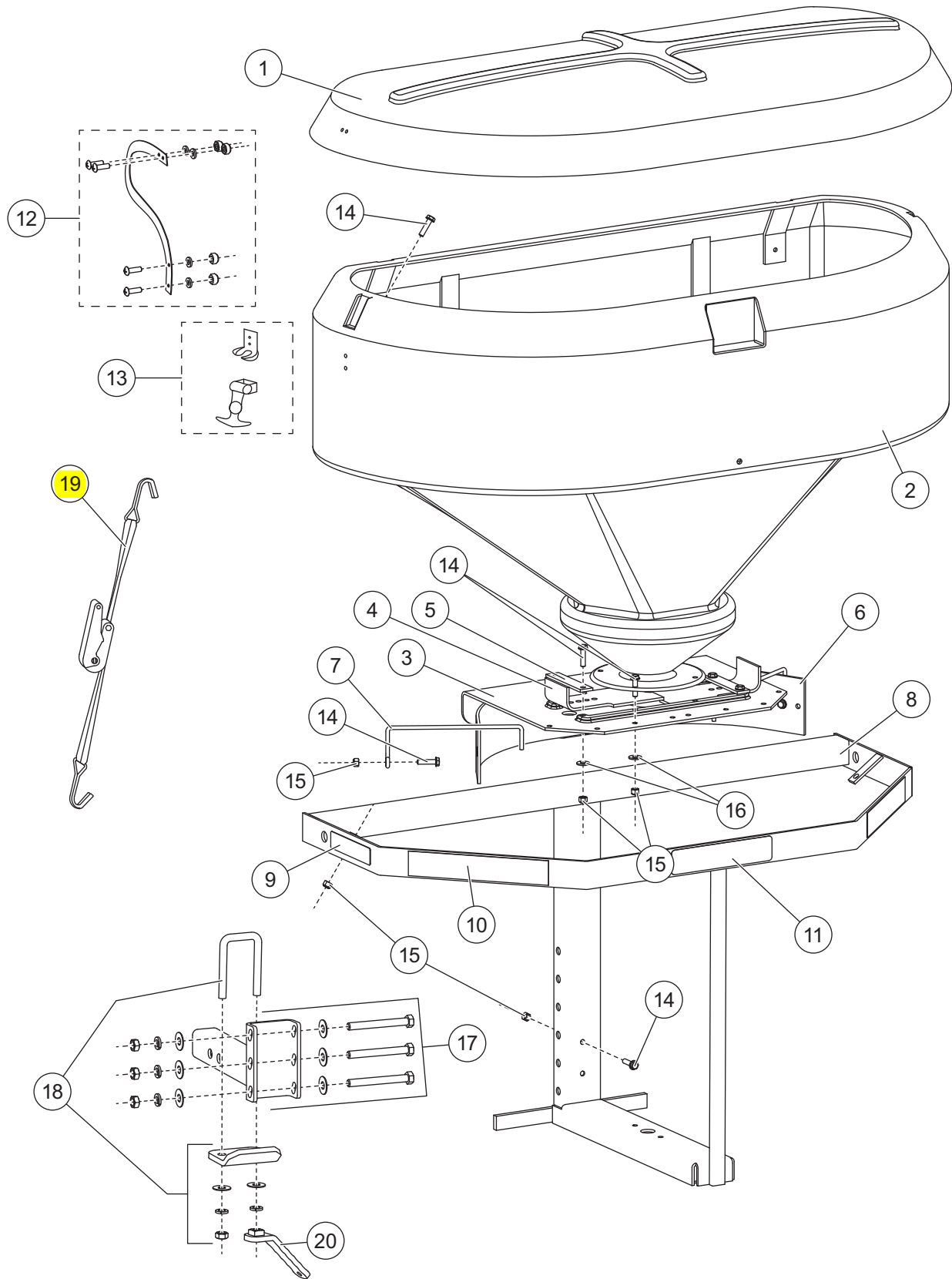
This Parts List is for FISHER® Model 2500 Low-Profile Tailgate Spreaders with serial numbers beginning with 080602–101203.

---

**A DIVISION OF FISHER, LLC**

# MODEL 2500 LOW-PROFILE TAILGATE SPREADER

## HOPPER COMPONENTS



# MODEL 2500 LOW-PROFILE TAILGATE SPREADER

Hopper Components							
Item	Part	Qty	Description	Item	Part	Qty	Description
1	96059	1	Hopper Lid (No Hardware)	11	96140	1	Label, Identity Model 2500
ns	96142	1	Lid Kit (Includes Straps & Hardware)	12	94534	2	Nylon Strap Kit
2	96143	1	Hopper Assembly, Yellow	13	P3045	2	Lid Latch Kit
3	96082	1	Bottom Plate Model 2500, Yellow	14	96166	14	5/16-18 x 1-1/4 Flange Hex Cap Screw SS
4	65493-1	2	Gate	15	91350	14	5/16-18 Hex Locknut GB SS
5	96083	2	Control Strap w/Molded Button	16	90980	12	5/16 Flat Washer Narrow SS
6	95323-1	1	Deflector	17	95318-1	1	Hitch Insert w/Hardware
7	65479	2	Deflector Rod	18	48852	1	Receiver Clamp Kit
8	96053	1	Main Frame	19	68789	2	Ratchet Strap Assy
9	94426	2	Label, Information – Receiver Hitch	ns	76068	1	Label, "UP" Tailgate Spreader Hitch
10	68584	2	Label, Information (Warning)	ns†	48797	1	Top Screen Bag Splitter Kit
<b>Item 17</b>				<b>95318-1 Hitch Insert w/Hardware</b>			
		1	Hitch Insert			3	1/2" Lock Washer Spring SS
		3	1/2-13 x 4-1/2 Hex Cap Screw G5			3	1/2-13 Hex Nut SS
		6	1/2" Flat Washer Wide SS				
<b>Item 18</b>				<b>48852 Receiver Clamp Kit</b>			
		1	Clamp Plate			2	1/2" Lock Washer Spring SS
		1	1/2-13 U-Bolt SS			1	1/2-13 Hex Nut SS
		2	1/2" Flat Washer Wide SS	20	96263	1	1/2-13 Nut Handle
ns = not shown		SS = Stainless Steel		† = Accessory Only		G = Grade	

Hopper Electrical Components							
Item	Part	Qty	Description	Item	Part	Qty	Description
ns	63634	1	Harness, Spreader – 4-pin	ns	63633	1	Harness, Vehicle – 4-pin
21	63693	1	Harness, Spreader End Kit (use w/3- or 4-Pin Connectors)	23	63692	1	Harness, Vehicle End Kit (use w/3- or 4-Pin Connectors)
22	28867	1	Variable Speed (PWM) Control	24	9390	1	ON/OFF Control
ns = not shown							

