



Fisher Engineering

P.O. Box 529 Rockland, Maine 04841

8225

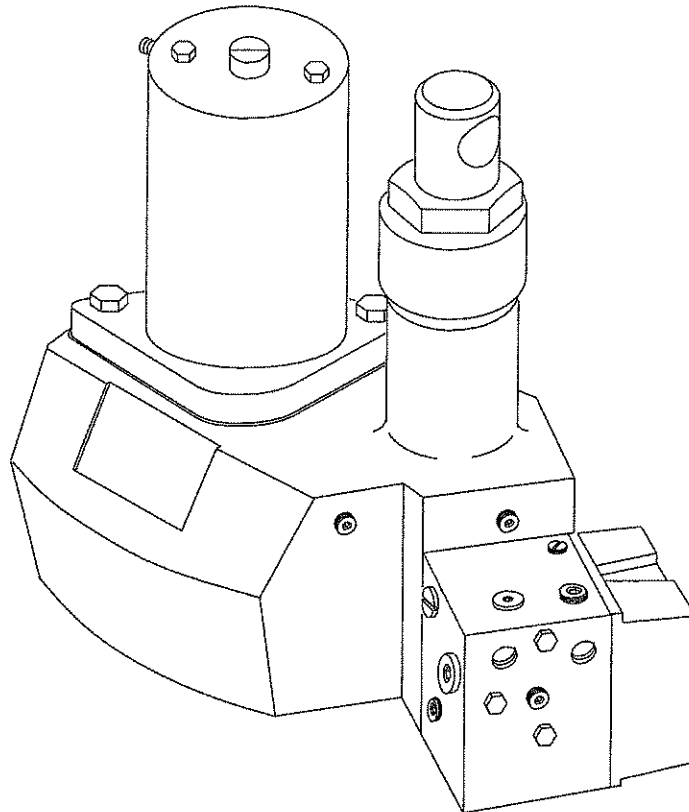
8240

8425

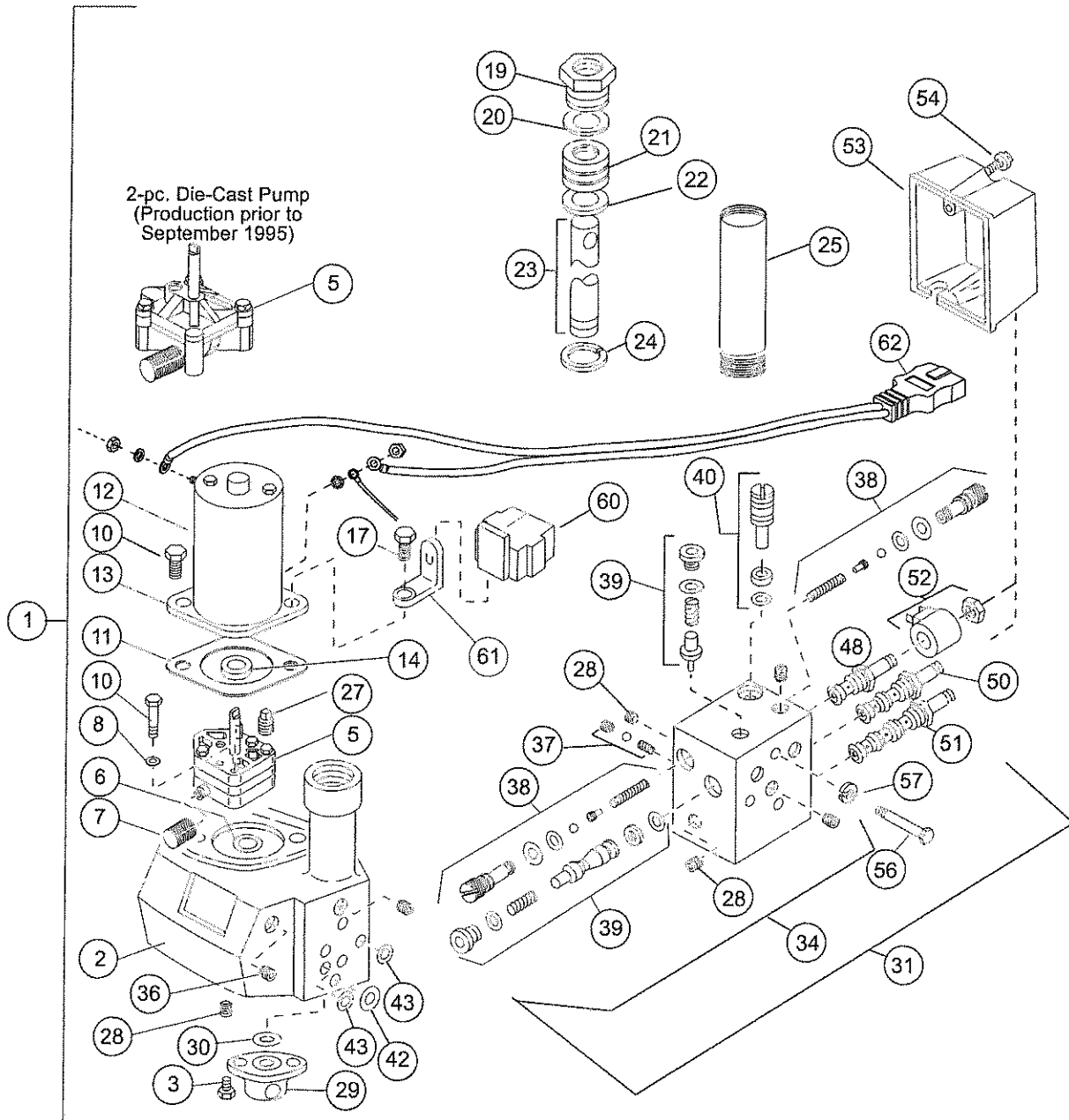
March 12, 2003

Lit. No. 20751

Solenoid Electric Hydraulic Pack Parts List



SEHP PARTS EXPLODED



Ref #	Part #	Description	Quantities		
			8225	8240	8425
1	7616	SEHP 6"-2500 PSI	1		
1	7923	SEHP 10"-4000 PSI		1	
1	20905	SEHP 10"-2500 PSI Commercial			1
2	7617	Service Housing Kit 1-1/2 x 6"	1		
2	7920	Service Housing Kit 1-1/2 x 10"		1	1
5	7049	Hydraulic Pump Kit	1	1	
5	7052	Commercial Hydraulic Pump Kit			1
22	338	Washer 1-1/2"	1	1	1
23	56717	Rod Assembly 1-1/2 x 6"	1		
23	26981	Rod Assembly 1-1/2" x 10"		1	1
25	7087	Barrel 1-1/2" EHP (10" only)		1	1
31	7623	Valve Manifold Assy Sol-2500	1		1
32	7921	Valve Manifold Assy Sol-4000		1	
33	7624	Manifold Assy-Sol 2500 (w/o cartridge)	1		1
34	7922	Manifold Assy-Sol 4000		1	
NS	66028	O-Ring-226 (10" only)		1	1

Ref #	Part #	Qty	Description	Ref #	Part #	Qty	Description
3	90649	2	5/16-18 x 1-1/4 HXW TRTS TY TR-3	44	7085	2	O-Ring- 010
6	25620	1	O-Ring 115	45	5833	2	O-Ring-008
7	7053	1	Suction Filter	46	2605	2	O-Ring-006
8	90311	2	1/4" Plain Washer	47	7633	2	Back-up Ring-006 Parbak Split
10	90073	2	5/16-18 x 2-1/4" Hex Cap Screw Steel G5 ZYC	48	7634	1	Cartridge 20 w/ Jam Nut
11	5822	1	Gasket	50	7636	1	Cartridge 30 w/ Jam Nut
12	A5819	1	Motor Assembly,4-1/2" See pg. 6	51	7637	1	Cartridge 40 w/ Jam Nut
13	6577	1	Flange w/ Bearing & seal	52	7639	3	Coil w/ Spade Terminal (1 shown)
14	6578	1	Oil Seal	53	7649	1	Cover Assembly
17	90692	1	5/16 EX Tooth LK Washer	54	90650	2	8-18 x 1/2" SL HXW Tfts TY B ZP
19	5763	1	Packing Nut 1-1/2"	55	90359	3	1/4" SP LK Washer (one shown)
20	341	1	Wiper Ring 1-1/2"	56	90083	3	1/4" -20 x 3-1/4" Hex Cap Screw Steel G5 ZYC
21	339	1	Packing Set 1-1/2"	58	90461	2	1/4" -20 x 3/4 Hex Cap Screw Steel G5 ZYC
24	20118K	1	Split Bearing 1-1/2"	60	8284	1	Cable Boot
27	7621	1	Plug 3/8" NPTF SQ	61	8289	1	Boot Bracket
28	7622	5	Plug 1/8" NPTF HX SQ	62	8245	1	Plow Cable Assembly
29	5824	1	Base Lug	NS	90088	1	5/16-18 x 1/2" Hex Cap Screw Stainless
30	5823	1	O-Ring 216	NS	7632	1	Back -up O-Ring Kit Sol
36	7627	2	Plug 1/4" NPTF HX SO (1 shown)	NS	7625	3	3/8"-24 HX SO O-Ring Boss Plug
37	7628K	1	Inlet Check Valve Kit	NS	90350	2	1/4"-20 PT HX LK Nut TI ZP
38	7629	1	Cushion Valve Repair Kit-Set	NS	90625	2	5/16" Washer-Belleville
39	7630	1	Poppet Check Valve Kit	NS	90651	3	7/16" EX Tooth LK Washer ZP
40	7631	1	Quill Assembly	NS	90066	2	7/16-14 x 1-1/4" Hex Cap Screw Steel G5 ZYC
42	3719	1	O-Ring -013	NS	7638	2	Seal Kit-Cartridge 30, 33, 40
43	5827	2	O-Ring-012	NS	7335	1	Seal Kit- Cartridge 20

NS = Not Shown ZYC = Zinc Yellow Chromate