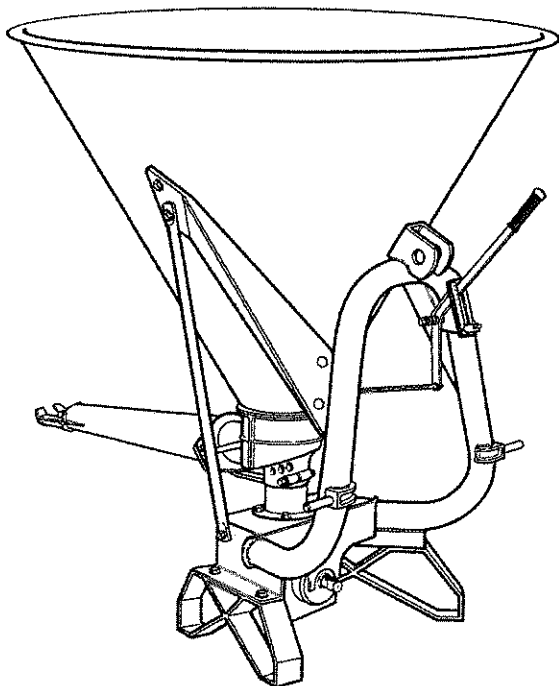


- | | |
|---------------------------------|---------------------------------|
| <input type="checkbox"/> PXA250 | <input type="checkbox"/> PXL250 |
| <input type="checkbox"/> PXA300 | <input type="checkbox"/> PXL300 |
| <input type="checkbox"/> PXA400 | <input type="checkbox"/> PXL400 |
| <input type="checkbox"/> PXA500 | <input type="checkbox"/> PXL500 |

PXA
PXL



USER'S GUIDE

CONTENT

1 SECTION – GENERALITY	2
1.1 PRESENTATION	2
1.1.1 Who the manual is intended for	2
1.2 WARRANTY CONDITIONS	3
1.2.1 Warranty exclusions.....	3
1.3 CUSTOMER SERVICE.....	3
2 SECTION – GENERAL FEATURES	4
2.1 MACHINE MARKINGS	4
2.1.1 Spreader description	4
2.1.2 Scheduled use	5
2.1.3 Non-scheduled use	5
2.2 CONTROL DEVICES	5
2.3 TECHNICAL DATA	6
2.4 STANDARDS APPLIED	6
3 SECTION – SAFETY AND ACCIDENT PREVENTION	7
3.1 SAFETY.....	7
3.1.1 General safety rules.....	8
3.1.2 Safety signs.....	9
3.2 SAFETY DEVICES	10
3.3 NOISE HAZARD	10
3.4 DUST HAZARD	10
3.5 CLOTHING	10
3.6 ECOLOGY AND POLLUTION.....	11
3.7 SAFE USE.....	11
4 SECTION – HANDLING AND INSTALLATION	13
4.1 HANDLING	13
4.2 HITCHING	13
4.3 PRELIMINARY CLEANING	14
4.4 GENERAL INSPECTION.....	14
5 SECTION – USE	15
5.1 PRIOR TO USE	15
5.2 STARTING UP.....	15
5.3 ADJUSTMENTS.....	15
5.3.1 Product spreading adjustment (fig. 6):.....	15
5.3.2 Regulation of the spreading:.....	16
5.3.3 Hopper loading.....	17
5.3.4 Spreading.....	17
6 SECTION – MAINTENANCE	18
6.1 ROUTINE MAINTENANCE	18
6.1.1 Daily cleaning.....	18
6.1.2 General checks	18
6.2 EXTRA MAINTENANCE	18
6.3 TO KEEP IN MOTHBALL	18
6.4 RE-START	19
6.5 DISMANTLING THE MACHINE	19
7 SECTION – SPARE PARTS	
SPARE PARTS	
SPREADING TABLE	

1 SECTION – Generality

1.1 Presentation

This manual gives information, instructions and everything else you will need to understand, correctly operate and perform routine maintenance on pendulum spreaders «PXA/PXL», hereinafter also referred to as the machine, and of all the accessories produced by AGREX Spa of Villafranca Padovana (Padua) Italy, hereinafter also referred to as the Manufacturer.

You will not find a complete description of the various parts, or a detailed explanation of how they work herein. Nonetheless, you will find all the information you will usually need to operate the machine safely and to look after it properly.

Compliance with the instructions herein, together with careful, meticulous maintenance, is the only way to assure proper operation, lasting service and economic running of the machine.

Failure to comply with the provisions herein, negligent operation, incorrect use of the machine or performance of unauthorized changes may lead to the Manufacturer declaring its warranty covering the machine void.

THE MANUFACTURER ALSO DECLINES ANY RESPONSIBILITY FOR DAMAGES AS A RESULT OF THE ABOVE-MENTIONED ACTIONS OR FOLLOWING FAILURE TO COMPLY WITH THE INSTRUCTIONS HEREIN.

For any repairs or overhauls entailing operations of some complexity, you must contact an authorized Customer Support Centre with specialized personnel, or the actual Manufacturer, who will be glad, in any case, to assure prompt, accurate technical servicing and anything else required to restore the machine to full working order.



This manual is an integral part of the machine and must be kept with the machine at all times, even when it is moved or sold. It must be kept in a safe place where personnel in charge of work on the machine know where to find it. Said personnel must look after it and keep it intact for future reference for the entire duration of the machine's service life.

If it is damaged or misplaced, you must ask the Manufacturer for a copy without delay

1.1.1 Who the manual is intended for

This manual is an essential tool for personnel who, in their various capacities, are somehow involved with the machine.

The various job profiles are given below:

USER: A user is the person, or body, or company who has purchased or hired the plant and who intends to use it for its intended purposes. They are responsible for the machine and for the training of anyone involved with it.

OPERATOR: skilled technical personnel sent by AGREX S.p.A. to install the machine and train operators. Technicians are able to perform operations of a complex nature on the plant, or any work in unusual situations.

1.2 Warranty conditions

The manufacturer warrants its brand-new products for a period of 24 (twenty-four) months from the date of delivery and/or for a period stated on the contract of sale.

When the machine is delivered, check for damage and make sure all its parts are accounted for.

Your sole remedy under warranty is the repair or replacement free of charge of any parts that prove defective following careful inspection by the Manufacturer's technical department.

Under no circumstances shall the replacement or repair of parts under warranty extend their original warranty period.

The purchaser shall nonetheless be entitled to exercise his/her warranty rights only if additional conditions concerning warranty coverage, also featured in the contract of sale, have been complied with.

1.2.1 Warranty exclusions

The warranty shall expire (in addition to arrangements given in the supply contract) if:

- the machine is manoeuvred improperly and this is attributable to the operator.
- damage is attributable to insufficient maintenance.
- repairs are performed by the user without the Manufacturer's permission.
- instructions given herein are not followed.
- there is an exceptional occurrence.

The warranty does not cover damage deriving from negligence, carelessness, poor and improper use of the machine, and any parts subject to normal wear during operation.

In addition, the warranty shall cease to be valid if parts are replaced with non-original spare parts.

REMOVING SAFETY DEVICES FEATURED ON THE MACHINE SHALL AUTOMATICALLY RESULT IN THE WARRANTY BECOMING VOID AND RELIEVE THE MANUFACTURER OF ALL LIABILITY.

1.3 Customer service



PERFORMING REPAIRS, WORK OR CHANGES OF ANY KIND OTHER THAN THOSE INDICATED HEREIN IS STRICTLY PROHIBITED.

Requests for servicing must be forwarded straight to the Technical Servicing Centre authorized by **AGREX SPA**, which will send skilled personnel and provide any necessary information and explanationis.

When applying, remember to quote:

- Machine type
- Serial number and year of manufacture
- Type of problem encountered

2 SECTION – General features

2.1 Machine markings

Each machine features an identification plate (Fig. 1), whose data are given below:

- (A) MANUFACTURER
- (B) ABSORBED POWER
- (C) MAXIMUM LOADING
- (D) TOTAL MASS
- (E) MODEL
- (F) REGISTRATION NUMBER
- (G) REGISTRATION YEAR


		(A) AGREX S.p.A. 35010 VILLAFRANCA PADOVA - ITALY
POTENZA MAX MAX POWER kW (B)	CARICO MAX MAX LOAD Kg. (C)	
V. [] A. [] Kg. (D)		
TIPO [] (E)	MATR. [] (F)	
ANNO DI FABBR. - YEAR OF PROD. [] (G)		

Figure 1

Removing, replacing or in any way altering the identification plates on the machine or any accessories it comes with is strictly prohibited.

The machine is supplied with:

- «Operation and maintenance manual»
- «Manufacturer's declaration of conformity»

2.1.1 Spreader description

The spreader consists of:

- **Frame**
- **Pendulum group**
- **Hopper**

The PXA/PXL series spreaders have been conceived to spread different types of fertilizers, as well as seeds, salt and granulated materials in general.

It is strictly forbidden to spread iron pieces, stones, gravel, glass and similar materials as they may injure people and cause damages.

- The system that controls the fertilizer spreading is composed by an adjustable lock gate that assures the best accuracy in the spreading and in the dosing also with superconcentrated products and seeds.
- **Highest safety standards:** all rotating and transmission parts are protected by guards and protection devices in compliance with CE provisions.

One single operator can perform all the various operations required.

2.1.2 Scheduled use

The machine has been built in conformity with European Union standards given in directive 98/37/EC as described in the manufacturer's declaration supplied with each machine.

The machine is designed to be used ideally for sowing and fertilising of gardens, sports fields and small green areas.

The following can be spread:

- **solid mineral fertilisers in granular**
- **seeds**
- **salt and sand**

The machine should be carried and driven by tractors or self-propelled machines with a power suitable to the spreader weight when it is completely full.

The machine must be operated only outdoors and when visibility is sufficient to see where the product is being spread.

The machine is designed for professional use and the operators in charge must be certified fit and be able to read and understand the contents of this manual.

Operators must also use the machine in compliance with the current regulations concerning safety, conditions for use and characteristics of the machine.

2.1.3 Non-scheduled use

NEVER spread materials not specified in this manual: this would affect the safety of the machine users and persons working nearby.

NEVER disable the machine safety devices or remove the danger notices..

NEVER allow the machine to be used by disabled persons or children.

DO NOT transport people or animals during work and when moving the machinery from one place to another.

Consequently, the manufacturer shall NOT BE held responsible for any damage to equipment or property or bodily injury as a result of its improper use or any use other than that for which the machine is intended.

2.2 Control devices

Opening product lever: positioned in proximity of the 3-point hitch it can be operated from the front part of the machine. Pushing the lever downwards you increase the quantity of products to spread, pulling upwards you reduce it until you close the distribution completely.

2.3 Technical data

Model	Capacity	Max load	Weight	Spreading width	A (length)	B (width)	C (height)
PXL 250	200 l	550 kg	89 kg	4 - 9 m	1340 mm	955 mm	1130 mm
PXL 300	260 l	550 kg	91 kg	4 - 9 m	1340 mm	1035 mm	1200 mm
PXL 400	320 l	550 kg	93 kg	4 - 9 m	1340 mm	1100 mm	1257 mm
PXL 500	380 l	550 kg	95 kg	4 - 9 m	1340 mm	1150 mm	1310 mm
PXA 250	200 l	550 kg	102 kg	4 - 9 m	1340 mm	955 mm	1130 mm
PXA 300	260 l	550 kg	104 kg	4 - 9 m	1340 mm	1035 mm	1200 mm
PXA 400	320 l	550 kg	110 kg	4 - 9 m	1340 mm	1100 mm	1257 mm
PXA 500	380 l	550 kg	113 kg	4 - 9 m	1340 mm	1150 mm	1310 mm

Table 1

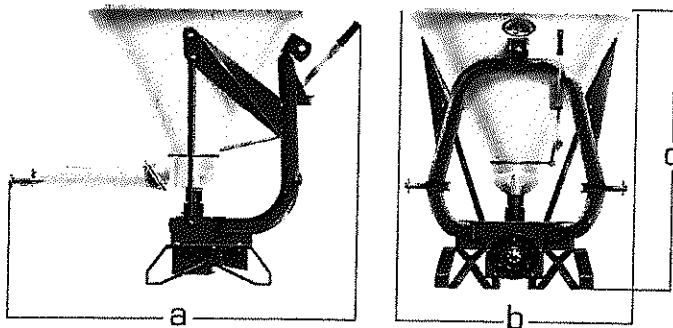


Figure 2

2.4 Standards applied

The machine has been designed and produced in conformity with the provisions of directive 98/37/EC, namely all moving parts have been made harmless by using guards, barriers and safety systems.

The machine has also been designed to the following directives and standards:

UNI EN 292-1 Safety of machinery. Basic concepts, general principles for design. Basic terminology, methodology. (1992)

UNI EN 292-2 Safety of machinery. Basic concepts, general principles for design. Technical principles and specifications. (1992)

UNI EN 292-2/A1 Safety of machinery. Basic concepts, general principles for design. Technical principles and specifications. (1995)

UNI EN 294 Safety of machinery. Safety distances to prevent danger zones being reached by the upper limbs. (1993)

3 SECTION – Safety and accident prevention

3.1 Safety

The user must instruct personnel as to risks deriving from accidents, devices installed for the purpose of operator safety, and general safety rules provided for by directives and legislation in the country where the machine is being used.

Operator safety is one of the primary concerns of any machine manufacturer. When producing a new machine, every effort is made to allow for all potential hazardous situations and, of course, to adopt appropriate safety devices.

Nonetheless, the level of accidents caused by careless and inexperienced use of various machines is still very high..

Lack of attention, thoughtlessness and overconfidence often lead to accidents, as can fatigue and drowsiness.

Hence this manual must be read very carefully, concentrating in particular on the section on safety rules.



The Manufacturer declines all responsibility for failure to comply with safety and accident-prevention regulations provided for by legislation, and with the provisions herein.



WATCH OUT FOR THIS SYMBOL IN THE MANUAL: IT INDICATES A HAZARDOUS SITUATION.

Depending on the danger involved, this symbol may have one of three meanings:



The **"DANGER"** label indicates the highest level of danger and is intended to warn you that if the operations described are not performed properly, they will result in serious injury, death or long-term health risks.



The **"WARNING"** label warns you that if the operations described are not performed properly, they may result in serious injury, death or long-term health risks.



The **"CAUTION"** label warns you that if the operations described are not performed properly, they may result in damage to the machine and/or injury.

IN ACCORDANCE WITH OF THE DIRECTIVE 98/37/CE NOTE THE FOLLOWING CONVENTIONS:

DANGER ZONE: Any area inside and/or near a machine that potentially compromises the safety or health of any exposed person there.

EXPOSED PERSON: Any person with all or part of his/her body inside a danger zone

OPERATOR: The person(s) in charge of installing, running, adjusting, servicing, cleaning, repairing and transporting a machine.

3.1.1 General safety rules



La Failure to comply with the provisions of "**Section 3 - Safety and accident prevention**" and any tampering with safety devices shall relieve the Manufacturer of any responsibility in case of accident, damage or malfunctioning of the machine.

GENERAL WARNINGS:

- The user undertakes to entrust the machine only to qualified and suitably trained personnel.
- The user is required to take all necessary measures to ensure that unauthorized personnel have not access to the machine.
- The user undertakes to suitably instruct his personnel on the application and observance of safety rules. For this reason, he undertakes to ensure that all persons receive directions for using the machine and safety rules appropriate to their tasks.
- The user must contact the Manufacturer to report any defects or malfunctions detected in safety systems, as well as any situation presumed to be dangerous.
- The user at all times, must use personal protective gear provided for by legislation, and follow the instructions herein.
- The user must comply with all safety symbols and warnings applied on the machine.
- The user must not take their own initiative to perform operations or work outside their area of competence.
- The user are required to report to their superior any problems or hazardous situation encountered to their superiors.
- The machine has been tested only with the equipment supplied only. Fitting parts of different makes or making changes may alter the machine's characteristics and hence compromise its safe operation. Consequently, the Manufacturer declines any responsibility for any damage that might derive from use of non-original parts.
- The machine must be used only for the purpose for which it has been designed alone.
- The machine must not be run with safety devices removed.

3.1.2 Safety signs

The machine has been produced adopting every possible safety standard to assure operator safety.

Nonetheless, the machine may present further residual hazards that cannot be eliminated altogether under certain conditions of use.

The safety symbols (pictograms) applied on various points of the plant are intended to draw the user's attention and warn him/her of danger; consequently, it is necessary to know the meaning of said symbols and to memory them. Any symbols that have been damaged, misplaced or belong to parts that have been changed must be replaced with other original symbols, requesting them to from the Manufacturer, and must be applied in exactly the same place.



DANGER

KEEP ADHESIVES CLEAN, AND REPLACE THEM AS SOON AS THEY START PEELING OFF OR ARE DAMAGED.

Referring to figure read the following descriptions carefully, committing their meanings to memory.



Warning! Before any maintenance work, remove the key from ignition and read this guide carefully.



Warning! Keep clear of the working area. Hazard of projectiles.



Warning! Never put hands into rotating parts in movement.



Warning! Do not exceed 540 rpm



Warning! Read the user's guide carefully.



Do always wear safety gloves, protective mask and overalls.

3.2 Safety devices

The machine features **GUARDS**: Stationary devices that prevent direct contact with moving parts or any other hazardous part of the machine. Said guards can be removed only with the aid of special tools. When the machine is operating, said devices must be fitted correctly.

CONSEQUENTLY, THE MANUFACTURER DECLINES ALL RESPONSIBILITY FOR ANY DAMAGE RESULTING FROM TAMPERING WITH GUARDS AND SAFETY DEVICES.

3.3 Noise hazard

Sound level (airborne noise) measured from one metre away with the machine running was as follows:

Sound pressure $L_{pA} < 70 \text{ dB(A)}$

3.4 Dust hazard



WARNING

When spreading powder fertilisers, dust can form in the air especially when it is windy. You are therefore advised to wear a mask to protect the respiratory system.

Fertilisers in general can irritate the skin and eyes: contact the supplier for information on the personal protection measures to be adopted.

3.5 Clothing



WARNING

Wear suitable clothing. Avoid baggy, loose-fitting clothing: It might get caught up in moving parts. Long hair should be tied back. Operators should not carry scissors or sharp tools in their pockets.

During maintenance and repair work, workers are required to wear protective clothing, cut-proof gloves, and non-slip boots with reinforced

3.6 Ecology and pollution



- Comply with laws in force in the country where the machine is being used regarding use and disposal of products employed in cleaning and servicing the machine, and comply with the instructions issued by the manufacturers of said products.
- Dispose of any special waste by handing waste materials in to suitably authorized firms, and demand a receipt attesting the disposal.
- Dispose of any packaging left over from the machine's transport in conformity with the regulations in force.
- If the machine is to be dismantled, comply with the pollution-prevention regulations provided for by the country it is used in, exercising particular care when it comes to lubricants and electric components.

3.7 Safe use



Safety standards: **HOW TO AVOID ACCIDENTS**

- **To avoid accidents, pay close attention to the warning notices affixed on the machine and read this guide carefully.**
- **The use of the spreader is restricted to the functions, for which it has been designed and which are described in the present guide. The manufacturer will not be held responsible for any damages to things or injuries to people caused by a wrong use of the spreader.**
- Before starting the spreader, make sure all protection devices and guards are mounted correctly.
- Make sure no bystanders (especially children) or animals are in the working area. This is extremely important when the spreader is being used near public or easily accessible roads.
- Minors (under 18) are not allowed to operate the spreader.
- The spreader can be used with every kind of tractor of suitable power, whose couplings are compatible with those of the spreader and which is equipped with all P.T.O. and cardan shaft protection devices.
- Before connecting the P.T.O., make sure the revolution number of the tractor corresponds to that of the spreader. In any case, **never exceed 540 rpm.**
- It is strictly forbidden to spread iron pieces, stones, gravel, glass and similar materials as they may injure people and cause damages to things.
- Never load the hopper with wet products as they may obstruct the outlets.
- During work, wear close-fitting and laced-up garments, heavy safety shoes, safety gloves and mask especially while spreading powdery fertilizers in windy weather.
- After using the spreader, turn the engine off, apply the handbrake, lower the spreader to the ground, disengage the P.T.O. and, if the hopper is still partially full, even the product up in order to avoid accidental tipplings.
- Do not carry out any maintenance or cleaning operation while the spreader is connected to the 3-point hitch of the tractor.
- It is strictly forbidden to transport persons while the spreader is in operation or during transfers.
- During transfers, make sure the P.T.O. is disengaged.

- When travelling on public roads, connect the spreader to the tractor as described on pag.13 of the present guide. A wrong connection may alter the vehicle stability. It is necessary to abide by the national traffic code.
- We remind you that a careful operator is the best insurance against accidents.
- The area the machine is used in should be considered a «**DANGER ZONE**», especially for anybody not trained in its use.
- Be careful of people and animals in the machine operating range: this is important when working on land or roads open to the public.
- When a person is «**exposed**», i.e. is in the «**DANGER ZONE**», the operator must stop the machine instantly, and possibly have the person removed.
- Whilst the machine is operating, operators must be in a position where they have full control of the machine so that they can take immediate action at any time and in any event.
- Check periodically the machine as a whole, and its safety devices, at regular intervals to ensure they are intact.
- If safety guards are removed, make sure they are refitted properly before using the machine again.
- If safety guards are removed, make sure they are refitted properly before using the machine again.
- At the end of maintenance and repair work, before re-using the machine the technical manager must ensure that the work has been completed and that the protections have been re-fitted.
- Transport of persons or animals during work and when moving the machine from one place to another is strictly forbidden.

4 SECTION – Handling and installation



The fertiliser spreader and accessories are generally partially fitted at the factory and shipped in cardboard packaging or on pallet. To complete assembly, follow the instructions given in this manual.
In some cases, depending on customer requirements, the machine is delivered fully assembled.
Upon receipt of the goods, carefully check to ensure that no damage has occurred during transport.

4.1 Handling

The packages must be handled by lift truck only, adequate for the weight to be lifted.

If the machine is not immediately assembled and temporary storage is required, the machine must be kept in a dry covered place.

To protect the various parts from atmospheric agents you are advised to leave the packaging intact.

4.2 Hitching

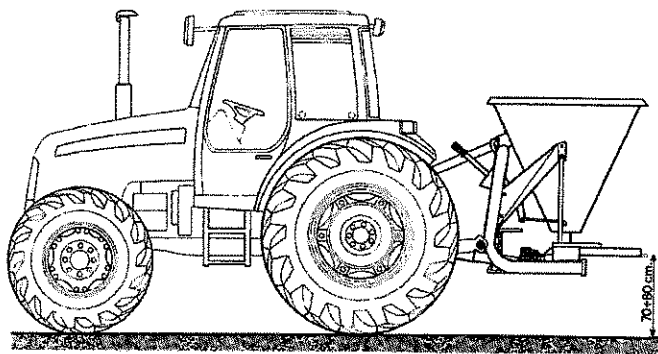


Figure 3



The spreader can be hitched to any tractor of suitable power (see technical specifications on pag. 6).
Before hitching the spreader to the tractor, apply the handbrake and make sure the P:T:O is disengaged.

Wear safety gloves.

- 1 - Fix de lower bars of the tractor lifting mechanism to the lower couplings of the spreader (Fig. 3) and then secure with safety pins.
- 2 - Connect the upper bar of the 3-point hitch with the suitable pin and safety split pin.

- 3 - To increase the machine firmness, fasten the lower bars of the 3-point hitch with the suitable tie-rods.
- 4 - Connect the P.T.O. shaft, making sure the safety lock is gone off and read the attached P.t.o. shaft user's guide carefully.
- 5 - Lift the spreader from the ground using the tractor lifting bars

When the P.T.O. shaft is a maximum extension, the two inner tubes have to overlap at least 15-20 cm. When the P.T.O. shaft is completely closed, there must be a gap of at least 4-5 cm to avoid collisions with the outer side (Fig. 4).

The working angle of the P.T.O. has to be the smallest possible; preferably it should not exceed 10° (Fig. 5), so has to make the P.T.O. shaft and the machine last longer.

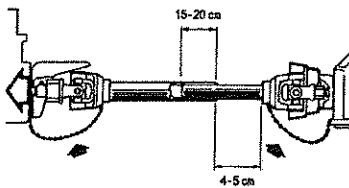


Figure 4

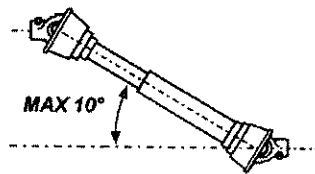


Figure 5

- 6 - The working angle of the P.T.O. has to be the smallest possible; preferably it should not exceed 10° (Fig. 5), so has to make the P.T.O. shaft and the machine last longer.

4.3 Preliminary cleaning

Once all connections have been made, the whole machine must be cleaned of dirt that has built up during transit, storage and handling.

Use suitable non-corrosive degreasing products and dry all machine parts - exposed metal and paintwork alike - using soft, dry cloths.

4.4 General inspection



Before starting to use the machine, safety devices must be checked to ensure they are efficient and working perfectly.

To work in complete safety it is necessary to:

- Tighten the bolts and all locking devices.
- Make sure all safety guards are properly installed.
- Do not leave tools or other objects not belonging to the machine inside the hopper or on the mechanical parts.

5 SECTION – Use

5.1 Prior to use

Before operating the machine, the operator must have read and understood all parts of this manual, especially those given in "Section 2" on Safety.

Check the machine's conditions carefully, especially parts most subject to wear and tear.

5.2 Starting up

The machine must be operated exclusively by skilled personnel, who have been properly trained in the use of the machine and in the main safety procedures. Before starting the machine, personnel are required to make themselves familiar with its controls.

5.3 Adjustments



WARNING

In order to avoid accidents and dangerous situations every machine adjustments has to be done exclusively with the machine switched off and the ignition keys have to be disconnected.

Adjustments must always be performed following the instructions provided in this use and maintenance manual.

The machine controls are described in 2.2 Control devices.

5.3.1 Product spreading adjustment (fig. 6):

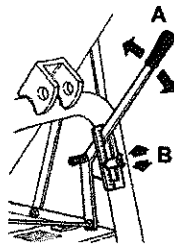


Figure 6

By means of a lever (A) positioned near the third point it is possible to increase or reduce the quantity of fertilizer to be spread. By pulling the lever down, the quantity is increased, by pulling the lever up the quantity is reduced till complete flow stop.

Moving the handwheel (B) along the graduated guide, it is possible to set out the maximum product distribution quantity.

5.3.2 Regulation of the spreading:

It is possible to vary the spreading from uniform to localized simply replacing the interchangeable front part of the pendulum spout (Pict. 7)

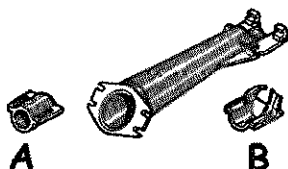


Figure 7

The pendulum spout equipped with front-end A allows for a spotted spreading (Fig. 8).
The pendulum-spout equipped with front-end B allows for even spreading. (Fig. 9).

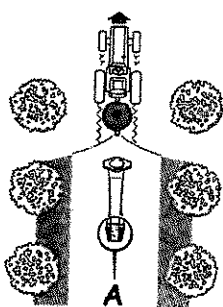


Figure 8

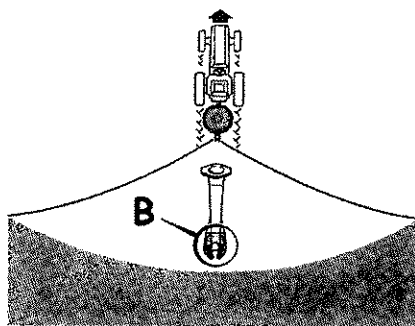


Figure 9

A pendulum spout particularly designed to obtain the localized spreading (Pict. 10) is available upon request.



Figure 10

5.3.3 Hopper loading

Before loading the hopper, turn off the motor, lower the spreader to the ground and make sure the shutters are completely closed to avoid useless waste of product. **Avoid loading the hopper beyond the maximum permitted load – See table 1 Technical specifications.**

It is very important for safety purposes to check the stability of the tractor-fertiliser spreader unit. The tractor engine must therefore be switched off and the handbrake engaged in order to prevent any sudden movement.

Ensure that the product to be distributed is clean: stones and metal objects can be a hazard in addition to permanently damaging the mechanical parts of the machine.

5.3.4 Spreading

- Start the tractor P.T.O.
- Move the quantity adjusting lever to open (and close) the batcher opening.

6 SECTION – Maintenance

6.1 Routine maintenance



BEFORE CARRYING OUT ANY MAINTENANCE WORK ON THE MACHINE, DETACH THE TOWING VEHICLE AND DISENGAGE THE SPREADER DISC TRANSMISSION BY MEANS OF THE LEVER PROVIDED.

The various maintenance operations are described below.

The time intervals given refer to normal operating conditions; consequently, if the machine is subjected to particularly heavy duty, they must be reduced accordingly.

The purpose of these instructions is to assure efficiency, reduce wear and generally make the machine last longer: the user has everything to gain from keeping the machine in pristine condition.

6.1.1 Daily cleaning

After each day's work, the machine must be cleaned thoroughly, removing any waste and/or residues left behind after processing, or other damp or dusty materials.

6.1.2 General checks

The vibrations produced during work and movement of the equipment from one place to another may in the long term cause loosening of the bolts. You are advised to check the nuts and bolts roughly every 50 working hours.

Every 10 hours lubricate the cardan cross and lubricate the spreader moving parts.

Every 100 hours replace the oil of the transmission group (SAE 80-CD-W140).

6.2 Extra maintenance

It is essential to conduct a general inspection of the machine's mechanical parts at regular intervals. It is necessary to check the wear conditions of the pendulum spout.

6.3 To keep in mothball

If the machine is not employed for a long time it is necessary to check its mechanical and electrical parts, so that to avoid problems when bringing it into use again.

All parts subjected to wear must be carefully controlled. The worn out and damaged parts should be immediately replaced by original spare parts provided by the distributor or the producer.

Besides, check that the bolts of the machine are not shaken loose during the working.

Such instructions are meant to maintain the machine in good conditions, reducing its wear and tear and prolonging its life.

6.4 Re-start



Before putting the machine back into service, it is always a good idea to check its general conditions: its current state will depend on the conditions it was mothballed in.

6.5 Dismantling the machine

Should the decision be made to dismantle the machine, its components must be sorted into groups of like materials and disposed of individually in accordance with the local laws in force on disposal of special waste.



WHEN DISPOSING OF THE VARIOUS COMPONENTS, ONLY GO THROUGH A LEGALLY AUTHORIZED FIRM THAT WILL ISSUE A RECEIPT ATTESTING TO DISPOSAL.

7 SECTION – Spare parts

7.1 Spare parts

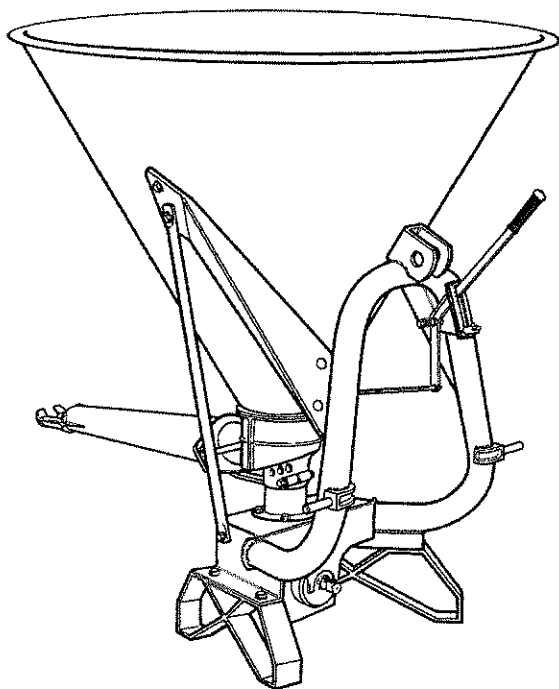
All the spare parts can be ordered from the manufacturer, quoting:

- **machine model**
 - **machine's serial number**
 - **year of manufacture**
 - **reference code of the part**
- **means of transport:** if no preference is specified, the manufacturer shall do its best to ensure you receive good service, though it declines all responsibility for any delays in shipment as a result of force majeure.

Lastly, remember you can always contact the manufacturer for your servicing.

- | | |
|----------------------------------|----------------------------------|
| <input type="checkbox"/> PXA 150 | <input type="checkbox"/> PXL 250 |
| <input type="checkbox"/> PXA 250 | <input type="checkbox"/> PXL 300 |
| <input type="checkbox"/> PXA 300 | <input type="checkbox"/> PXL 400 |
| <input type="checkbox"/> PXA 400 | <input type="checkbox"/> PXL 500 |
| <input type="checkbox"/> PXA 500 | |

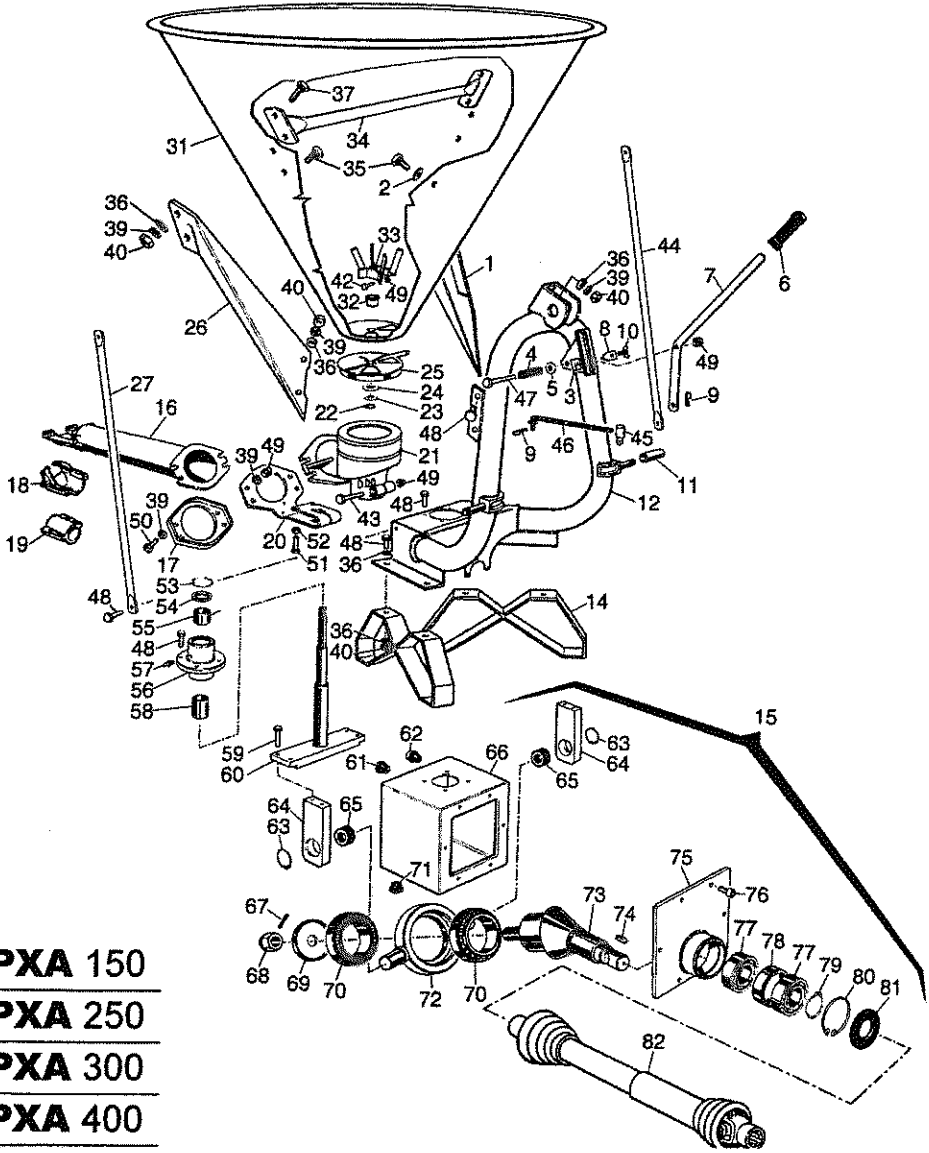
PXA
PXL



SPARE PARTS

Cod. PXA-PXL EX-CEE

PXA-PXL/SPARE PARTS



PXA 150

PXA 250

PXA 300

PXA 400

PXA 500

2 **PXA-PXL**
Fertilizer spreader
Spare parts

series PXA

SPARE PARTS/PXA-PXL

REF.	CODE	Q.TY	DESCRIPTION	DESCRIZIONE
1	XA251008	1	SUPPORTO LATERALE DX	SIDE SUPPORT RH
2	PV251004	1	RONDELLA FISSAGGIO TRAMOGGIA	WASHER FOR HOPPER FIXING
3	PA251024	1	QUADRO DI FISSAGGIO	FIXING BLOCK
4	PA251026	1	MOLLA A COMPRESSIONE	COMPRESSION-SPRING
5	PA251027	1	DISCHETTO BACHELITE	BAKELITE WASHER
6	RMG00820	1	IMPUGNATURA GOMMA 8X20	RUBBER HANDLE 8X20
7	XA251010	1	LEVA APERTURA CONCIME	ADJUSTMENT LEVER
8	PA251025	1	INDICATORE DI DISTRIBUZIONE	INDICATOR
9	80100250	1	SPINA A R.D. 2 L.50	COTTER PIN A R.D. 2 L.50
10	54490616	1	VITE T-ALETTE 8X16 ZN DIN 316	WING SCREW 8X16 DIN 316
11	XA2525	2	BUSSOLA RIDUZIONE 1"-2" PUNTO	DERATING BUSH 1"-2" POINTS
12	PX01	1	TELAIO	FRAME
14	XA2524	2	PIEDE	FOOT
15	G01R	1	GRUPPO PENDOLO PER PX	GEAR-BOX ASSEMBLY FOR PX
16	PD501210	1	TUBO OSCILLANTE	PENDULUM SPOUT
17	PD501209	1	FLANGIA ATTACCO PENDOLO	COUPLING FLANGE
18	PD501211	1	COPPA SPAGLIO	CUP (FULL WIDTH SPREADING)
19	PD501212	1	MANICOTTO DIRITTO	BUSHING
20	PX11	1	FLANGIA TRAMOGGIA PENDOLO	HOPPER FLANGE
21	PX12	1	TRAMOGGIA PENDOLO	HOPPER
22	74353200	1	ANELLO SEEGER E D.32	SNAP RING E D. 32 DIN 471
23	PX05	1	RONDELLA TENUTA DISCO DISTRIBUZIONE	SEAL WASHER DISTRIBUTION DISK
24	PA251021	1	RONDELLA TENUTA DISCO	LOCK WASHER
25	XA2519	1	DISCO REGOLATORE	ADJUSTMENT DISC
26	XA251009	1	SUPPORTO LATERALE SX	SIDE SUPPORT LH
27	XA2520D	2	RINFORZO TRAMOGGIA DESTRO	RIGHT HOPPER STIFFENER
31	XA251021	1	TRAMOGGIA ACCIAIO Ø=860	STEEL HOPPER Ø=860
31	XA251022	1	TRAMOGGIA ACCIAIO Ø=955	STEEL HOPPER Ø=955
31	XA251023	1	TRAMOGGIA ACCIAIO Ø=1035	STEEL HOPPER Ø=1035
31	XA251024	1	TRAMOGGIA ACCIAIO Ø=1150	STEEL HOPPER Ø=1150
31	XA251026	1	TRAMOGGIA ACCIAIO Ø=1100	STEEL HOPPER Ø=1100
32	PA251016	1	BUSSOLA GUIDA AGITATORE	AGITATOR BUSH GUIDE
33	XA2518	1	AGITATORE	AGITATOR
34	XA251600	1	TUBO INTERNO TRAMOGGIA	HOPPER REINFORCEMENT BAR
35	57321030	3	VITE T-TONDA 10X30 ZN DIN 603	ROUND HEAD SCREW 10X30 ZN
36	6592102N	35	RONDELLA PIANA ZN M10 DIN 125/A	GALVANIZED PLAIN WASHER M10
37	57321035	2	VITE T-TONDA 10X35 ZN	CUPHEAD SCREW 10X35 ZN
39	6798102N	14	RONDELLA D.E.V. ZN M10 DIN 6798	GALVANIZED WASHER M10
40	5588102N	15	DADO ESAGONALE MEDIO PG ZN M10	GALVANIZED HEXAGON MEDIUM NUT M10
42	52391070	1	VITE TEIF 8.8 ZN M10X70	GALVANIZED SCREW M10X70
43	52391080	1	VITE TEIF 8.8 M10X80 ZN	GALVANIZED SCREW M10X80
44	XA2520	1	RINFORZO TRAMOGGIA SINISTRO	LEFT HOPPER STIFFENER
45	XA251128	1	ATTACCO ASTA DI REGOLAZIONE	COUPLING
46	XA251127	1	ASTA DI REGOLAZIONE	ADJUSTMENT BAR
47	52391085	1	VITE TEIF 8.8 ZN M10X85	GALVANIZED SCREW M10X85
48	52391025	14	VITE TEIF 8.8 ZN M10X25 DIN 933	GALVANIZED SCREW M10X25 DIN 933
49	7473102N	6	DADO AUTOBL. ALTO ZN M10 DIN 982	GALVANIZED SELF-LOCKING HIGH NUT M10
50	52391050	4	VITE TEIF 8.8 ZN M10X50	GALVANIZED SCREW M10X50
51	52390840	2	VITE TEIF 8.8 ZN M8X40	GALVANIZED SCREW M8X40
52	7474082N	2	DADO AUTOBLOCCANTE BASSO ZN M8	SELF-LOCKING NUT ZN M8
53	74375200	1	ANELLO SEEGER INTERNO Ø=52	SEEGER RING Ø=52
54	SM405207TC	1	PARAOILIO 40X52X7 CON LABBRO TIPO TC	OIL RETAINER 40X52X7 WITH TC LIPO
55	BO404420	1	BOCCOLA AUTOLUBRIFICANTE 40X44X20	SELF-LUBRICATING BUSH 40X44X20
56	G0106	1	MOZZO SUPERIORE	SUPERIOR HUB
57	INGRAA60	1	INGRASSATORE SFERA 1/8" GAS-DIRITTO	BALL LUBRICATOR 1/8"
58	BO404450	1	BOCCOLA AUTOLUBRIFICANTE 40X44X50	SELF-LUBRICATING BUSH 40X44X50
59	52371040	4	VITE TEPF 8.8 ZN M10X40	SCREW TEPF 8.8 ZN M10X40
60	G0103B	1	FORCELLA LUNGA	LONG FORK
61	30015006	1	SPIA OLIO 3/8	OIL WINDOW 3/8
62	TAPSS8GS	1	TAPPO SFIATO 3/8" AMA5010	BREATHER CAP 3/8" AMA5010
63	74373400	2	ANELLO SEEGER I Ø=34	SEEGER RING Ø=34

Code: **PXARUSA**
Issue: M-06

PXA-PXL
Fertilizer spreader
Spare parts

ATTENTION !

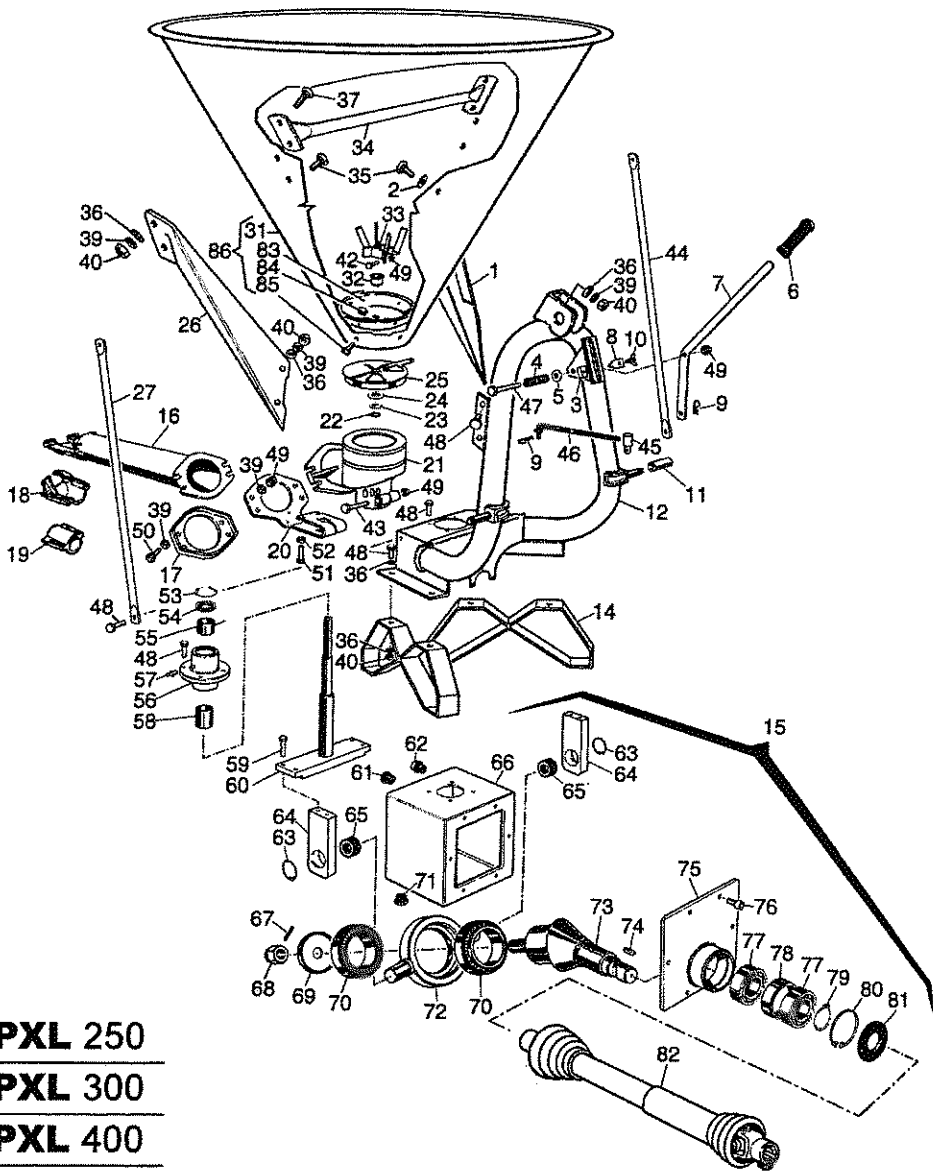
THE USE
OF ORIGINAL PARTS TO
ENSURE THE CORRECT
FUNCTIONING
OF THE MACHINE.



ATTENZIONE !

PER UN CORRETTO
FUNZIONAMENTO DELLE
NOSTRE MACCHINE USARE
ESCLUSIVAMENTE RICAMBI
ORIGINALI

PXA-PXL/SPARE PARTS



PXL 250

PXL 300

PXL 400

PXL 500

PXA-PXL
Fertilizer spreader
Spare parts

series PXL

SPARE PARTS/PXA-PXL

REF.	CODE	Q.TY	DESCRIPTION	DESCRIZIONE
1	XA251008	1	SUPPORTO LATERALE DX	SIDE SUPPORT RH
2	PV251004	1	RONDELLA FISSAGGIO TRAMOGGIA	WASHER FOR HOPPER FIXING
3	PA251024	1	QUADRO DI FISSAGGIO	FIXING BLOCK
4	PA251026	1	MOLLA A COMPRESSIONE	COMPRESSION-SPRING
5	PA251027	1	DISCETTO BACHELITE	BAKELITE WASHER
6	BMG06820	1	IMPUGNATURA GOMMA 8X20	RUBBER HANDLE 8X20
7	XA251010	1	LEVA APERTURA CONCIME	ADJUSTMENT LEVER
8	PA251025	1	INDICATORE DI DISTRIBUZIONE	INDICATOR
9	80100250	1	SPINA A R.D.2 L.50	COTTER PIN A R.D.2 L.50
10	54490616	1	VITE T-ALETTE 6X16 ZN DIN 316	WING SCREW 6X16 DIN 316
11	XA2526	2	BUSSOLA RIDUZIONE 1"-2" PUNTO	DERATING BUSH 1"-2" POINTS
12	PX01	1	TELAIO	FRAME
14	XA2524	2	PIEDE	FOOT
15	G01R	1	GRUPPO PENDOLO PER PX	GEAR-BOX ASSEMBLY FOR PX
16	PD501210	1	TUBO OSCILLANTE	PENDULUM SPOUT
17	PD501209	1	FLANGIA ATTACCO PENDOLO	COUPLING FLANGE
18	PD501211	1	COPPA SPAGLIO	CUP (FULL WIDTH SPREADING)
19	PD501212	1	MANICOTTO DIRITTO	BUSHING
20	PX11	1	FLANGIA TRAMOGGIA PENDOLO	HOPPER FLANGE
21	PX12	1	TRAMOGGIA PENDOLO	HOPPER
22	74353200	1	ANELLO SEEGER E D.32	SNAP RING E D.32 DIN 471
23	PX05	1	RONDELLA TENUTA DISCO DISTRIBUZIONE	SEAL WASHER DISTRIBUTION DISK
24	PA251021	1	RONDELLA TENUTA DISCO	LOCK WASHER
25	XA2519	1	DISCO REGOLATORE	ADJUSTMENT DISC
26	XA251000	1	SUPPORTO LATERALE SX	SIDE SUPPORT LH
27	XA2520D	2	RINFORZO TRAMOGGIA DESTRO	RIGHT HOPPER STIFFENER
31	XL251001A	1	TRAMOGGIA Ø=955 H.662	PLASTIC HOPPER Ø=955 H.662
31	XL301001A	1	TRAMOGGIA Ø=1035 H.733	PLASTIC HOPPER Ø=1035 H.733
31	XL401001A	1	TRAMOGGIA Ø=1100 H.789	PLASTIC HOPPER Ø=1100 H.789
31	XL501001A	1	TRAMOGGIA Ø=1150 H.833	PLASTIC HOPPER Ø=1150 H.833
32	FA251016	1	BUSSOLA GUIDA AGITATORE	AGITATOR BUSH GUIDE
33	XA2518	1	AGITATORE	AGITATOR
34	XA251600	1	TUBO INTERNO TRAMOGGIA	HOPPER REINFORCEMENT BAR
35	57321030	3	VITE T-TONDA 10X30 ZN DIN 603	ROUND HEAD SCREW 10X30 ZN
36	6592102N	35	RONDELLA PIANA ZN M10 DIN 125/A	GALVANIZED PLAIN WASHER M10
37	57321035	2	VITE T-TONDA 10X35 ZN	CUPHEAD SCREW 10X35 ZN
39	6798102N	14	RONDELLA D.E.V. ZN M10 DIN 6798	GALVANIZED WASHER M10
40	5588102N	15	DADO ESAGONALE MEDIO PG ZN M10	GALVANIZED HEXAGON MEDIUM NUT M10
42	52391070	1	VITE TEIF 8.8 ZN M10X70	GALVANIZED SCREW M10X70
43	52391090	1	VITE TEIF 8.8 M10X90 ZN	GALVANIZED SCREW M10X90
44	XA2520	1	RINFORZO TRAMOGGIA SINISTRO	LEFT HOPPER STIFFENER
45	XA251128	1	ATTACCO ASTA DI REGOLAZIONE	COUPLING
46	XA251127	1	ASTA DI REGOLAZIONE	ADJUSTMENT BAR
47	52391065	1	VITE TEIF 8.8 ZN M10X65	GALVANIZED SCREW M10X65
48	52391025	14	VITE TEIF 8.8 ZN M10X25 DIN 933	GALVANIZED SCREW M10X25 DIN 933
49	7473102N	6	DADO AUTOBL. ALTO ZN M10 DIN 982	GALVANIZED SELFLOCKING HIGH NUT M10
50	52391050	4	VITE TEIF 8.8 ZN M10X50	GALVANIZED SCREW M10X50
51	52390840	2	VITE TEIF 8.8 ZN M8X40	GALVANIZED SCREW M8X40
52	7474082N	2	DADO AUTOBLOCCANTE BASSO ZN M8	SELF-LOCKING NUT ZN M8
53	74375200	1	ANELLO SEEGER INTERNO Ø=52	SEEGER RING Ø=52
54	SM405207TC	1	PARALIO 40X52X7 CON LABBRIO TIPO TC	OIL RETAINER 40X52X7 WITH TC LIPO
55	BC404420	1	BOCCOLA AUTOLUBRIFICANTE 40X44X20	SELF-LUBRICATING BUSH 40X44X20
56	G0106	1	MOZZO SUPERIORE	SUPERIOR HUB
57	INGRAA60	1	INGRASSATORE SFERA 1/8" GAS-DIRITTO	BALL LUBRICATOR 1/8"
58	BC404450	1	BOCCOLA AUTOLUBRIFICANTE 40X44X50	SELF-LUBRICATING BUSH 40X44X50
59	52371040	4	VITE TEFF 8.8 ZN M10X40	SCREW TEFF 8.8 ZN M10X40
60	G0103B	1	FORCELLA LUNGA	LONG FORK
61	30015008	1	SPIA OLIO 3/8	OIL WINDOW 3/8
62	TAPS38GS	1	TAPPO SFIATO 3/8" AMA5010	BREATHER CAP 3/8" AMA5010
63	74373400	2	ANELLO SEEGER I Ø=34	SEEGER RING Ø=34
64	G010201	2	PIATTO TRASMISSIONE	DRIVE PLATE

Code: **PXL RUSA**
Issue: M-06

PXA-PXL
Fertilizer spreader
Spare parts

ATTENTION !

THE USE
OF ORIGINAL PARTS TO
ENSURE THE CORRECT
FUNCTIONING
OF THE MACHINE.



ATTENZIONE !

PER UN CORRETTO
FUNZIONAMENTO DELLE
NOSTRE MACCHINE USARE
ESCLUSIVAMENTE RICAMBI
ORIGINALI

PXA-PXL/SPARE PARTS

PENDULUM-SPOUT MOD. PX

PENDOLO PER SABBIA-SALE MOD. PX

PXA 150

PXA 250

PXA 300

PXA 400

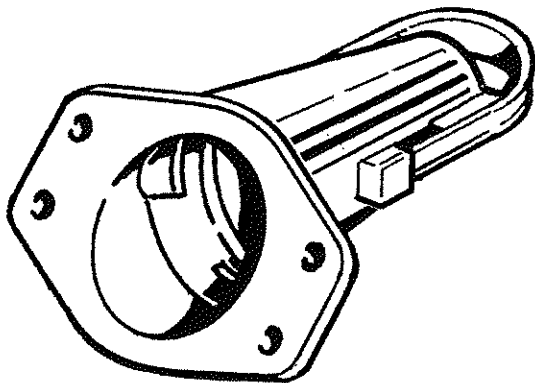
PXA 500

PXL 250

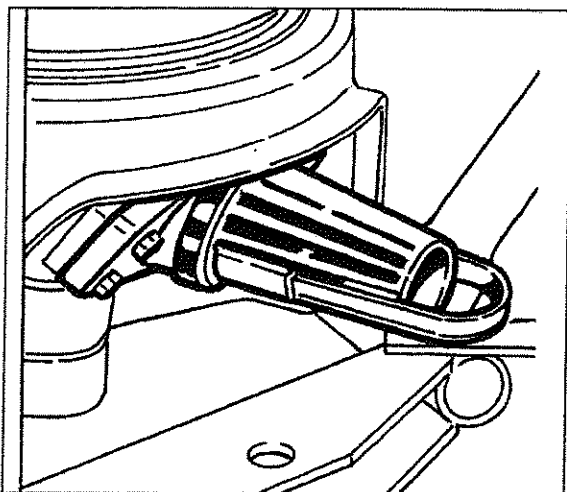
PXL 300

PXL 400

PXL 500



REF.	CODE	Q.TY	DESCRIPTION	DESCRIZIONE
1	PX15	1	PENDULUM-SPOUT MOD. PX	PENDOLO PER SABBIA-SALE MOD. PX
.				



PXA PXL



SPOUT FOR SPREADING ON ROWS

SPARGITORE LOCALIZZATO

PXA 150

PXA 250

PXA 300

PXA 400

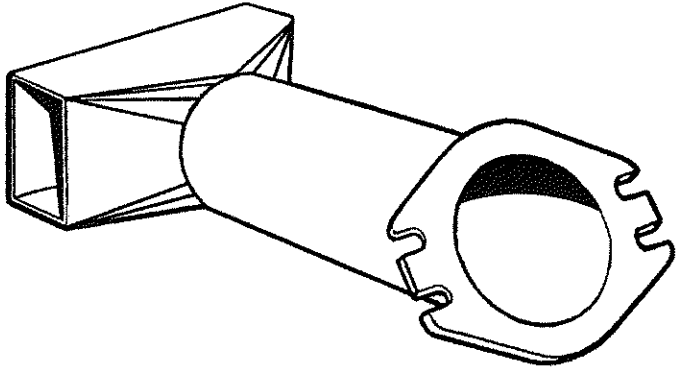
PXA 500

PXL 250

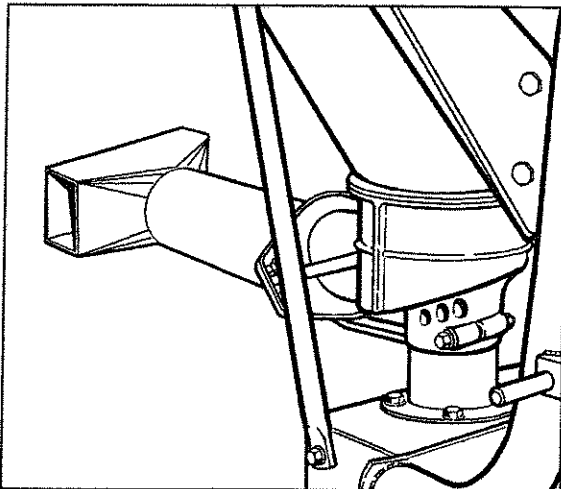
PXL 300

PXL 400

PXL 500



REF.	CODE	Q.TY	DESCRIPTION	DESCRIZIONE
1	PX13	1	SPOUT FOR SPREADING ON ROWS	SPARGITORE LOCALIZZATO
.				



PXA PXL

SPREADING TABLE

Fertilizer type	PTO	Spreading width (m)	km/h	kg/ha of fertilizer to be spread at the speed indicated in column km/h												
				OPENING												
				1,5	2	2,5	3	3,5	4	4,5	5	5,5	6	6,5	7	
Coarse grained fertilizers	540	12	2	317	467	830	1392	1737	2207	2657	3145	3462	3912	4345	4880	
			4	158	233	415	696	868	1103	1328	1572	1731	1956	2172	2440	
			8	79	116	207	348	434	551	664	786	865	978	1086	1220	
			10	63	93	166	278	347	441	531	629	692	782	869	976	
			12	52	77	138	232	289	367	442	524	577	652	724	813	
Medium grained fertilizers	540	10	2	273	392	736	1047	1337	1654	1847	2116	2328	2554	2692	2973	
			4	136	196	368	523	668	827	923	1058	1164	1277	1346	1486	
			8	68	98	184	261	334	413	461	529	582	638	673	743	
			10	54	78	147	209	267	330	369	423	465	510	538	594	
			12	45	65	122	174	222	275	307	352	388	425	448	495	
Fine grained fertilizers	540	8	1,5	190	272	458	765	987	1238	1452	1732	1940	2242	2435	2665	
			4	95	136	229	382	493	619	726	866	970	1121	1217	1332	
			8	47	68	114	191	246	309	363	433	485	560	608	666	
			12	38	54	91	153	197	247	290	346	388	448	487	533	
			16	31	45	76	127	164	206	242	282	323	373	405	444	
Calcium cyanamide and similar	540	10	2	430	1135	1715	2500	3060	3760							
			4	215	567	857	1250	1530	1880							
			8	107	283	428	625	765	940							
			10	86	227	343	500	612	752							
			12	71	189	285	416	510	626							

In order to make the reference to the spreading table as clear as possible, we have listed only a few FERTILIZERS that differ in composition, quality, shape and specific weight. We remind you that the above indicated data are intended for reference only and are not binding. The data of the spreading table were obtained with the P.T.O. at 500 revolutions per minute and with the spreading disc at a height of 70/80 cm from ground. The tractor may run at a different speed from what indicated in the spreading table: we remind you that by increasing or reducing the speed, the quantity of FERTILIZER to be spread per hectare is accordingly increased or reduced.

AGREX S.p.a.

Via Bella, 55/57 - 35010 VILLAFRANCA PADOVANA (PD) - Italia

Tel. +39 049 90 75 664 - Fax. +39 049 90 75 524 - Web Site: www.agrex.com - E-mail: info@agrex.com