

PARTS & INSTALLATION INSTRUCTIONS

MEYER SNOW PLOW MOUNTING

DODGE T-300 MODEL 4WD TRUCKS

Vehicle must be equipped with the Snow Plow Preparation Package AHD

IMPORTANT NOTICE

End user must be given this instruction sheet prior to delivery of this Snow Plow.

The equipment you have just purchased should only be used on vehicles equipped with the Manufacturer's Snow Plow Preparation Packages. Snow Plowing without the original Snow Plow Preparation Package may damage your vehicle and the added weight to the equipment may impair the operation and control of the vehicle. Snow Plowing with a vehicle that the manufacturer does not recommend for that purpose may void your new vehicle warranty. If your vehicle is not originally equipped with the Snow Plow Package, additional parts may be necessary before snow plowing. Owners of these vehicles should consult their dealers before purchase or installation of such parts. CAUTION: the installation, on any vehicle, of these parts is not a full substitute for the original equipment Snow Plow Preparation Package.

Warning: Lift Arm extends beyond bumper of vehicle. To minimize damage from a front-end collision, Lift Arm should be removed from vehicle when Snow Plow is removed.

PARTS LIST

Item	Part No.	Qty.	Description			
1	17104	1	MOUNTING CARTON			
2	11500	1	• Clevis Frame			
3	11421	2	• Brace Bar			
4	11544	2	• Receiver Tube Cap			
5	11483	1	• Side Member L.H.			
6	11484	1	• Side Member R.H.			
	10514	1	• Lift Arm			
	13615	2	• Lift Frame Stops			
7	08656	1	• HARDWARE BAG			
8	11006	2	•• Hinge Pin			
9	14595	2	•• Special Bolt 3/4"			
10	20073	6	•• Bolt 7/16-14 x 1-1/2" Gr.5			
11	20139	2	•• Bolt H 5/8-11 x 1-1/2" Gr.5			
12	20145	1	•• Bolt H 5/8-11 x 3" Gr. 5			
13	20147	1	•• Bolt H 5/8-11 x 3-1/2" Gr. 5			
14	20165	8	•• Bolt H 3/4-10 x 2-1/4" Gr.5			
15	20174	2	•• Bolt H 3/4-10 x 5" Gr.5			
16	20306	6	•• Locknut 7/16 -14			
17	20309	3	•• Locknut Esna 5/8-11			
18	20310	12	•• Locknut 3/4-10			
19	20354	8	•• Flatwasher 7/16"			
20	20354	4	•• Flatwasher 1/2"			
21	20357	6	•• Flatwasher 5/8"			
22	20359	24	•• Flatwasher 3/4 "			
23	21984	2	•• Hair Pin Cotter			
24	22134	2	•• Special Washer 5/8"			
25	22135	2	•• Handle Nut			
	11139	4	•• Washer Plate 7/16"			
	11734	2	•• Stop Plate 2" x 2" x 1/4" (Not Used)			
26	11255	1	LIFT FRAME (Tubular)			
	11" Sector		15" Sector			
	Item	Part No.	Qty.	Part No.	Qty.	Description
	27	16505	1	16504	1	SECTOR -A-FRAME CARTON
		12326	1	12793	1	• Sector
		13612	1	13608	1	• A- Frame
		07017	3	07017	4	• Trip Sring
		09916	1	09916	1	• Marker Kit
	28	08166	1	08314	1	• PLOW HARDWARE BAG
		09119	2	09119	1	•• Pivot Pin w/Cotter
		11101	2	11101	2	•• Hinge Pin
	29	22083	2	22083	2	•• Linch Pin
		09122	1	09125	1	•• King Bolt w/Locknut
		09124	3	09124	4	•• Eye Bolt w/Locknuts

Parts indented are included in the carton, bag or assembly under which they are indented.

Meyer Products and Diamond Equipment reserves the right, under its continuing product improvement program, to change construction or design details, specifications and prices without notice or without incurring any obligation.

GENERAL INFORMATION

CAUTION: Always disconnect battery before beginning installation.

DO NOT BURN holes or **WELD** vehicle frame. This may cause frame failure.

After first use, retighten all mounting bolt connections to specified torque. All mounting bolt connections to be checked periodically for tightness.

Locknuts are furnished **DO NOT** tighten bolts and nuts until installation is complete (unless otherwise specified), then be sure to tighten all attaching parts per specified torque chart.

NOTE: It is important that the Meyer harness, all wires from the Meyer light switch, and all other electrical wires be routed around hot or moving engine parts, and any sharp metal. Protection must be provided to guard against wire damage at these points. All excess or loose wires must be neatly secured using wire ties.

Check contents against the parts list to determine all are correct and included, and also to familiarize yourself with them.

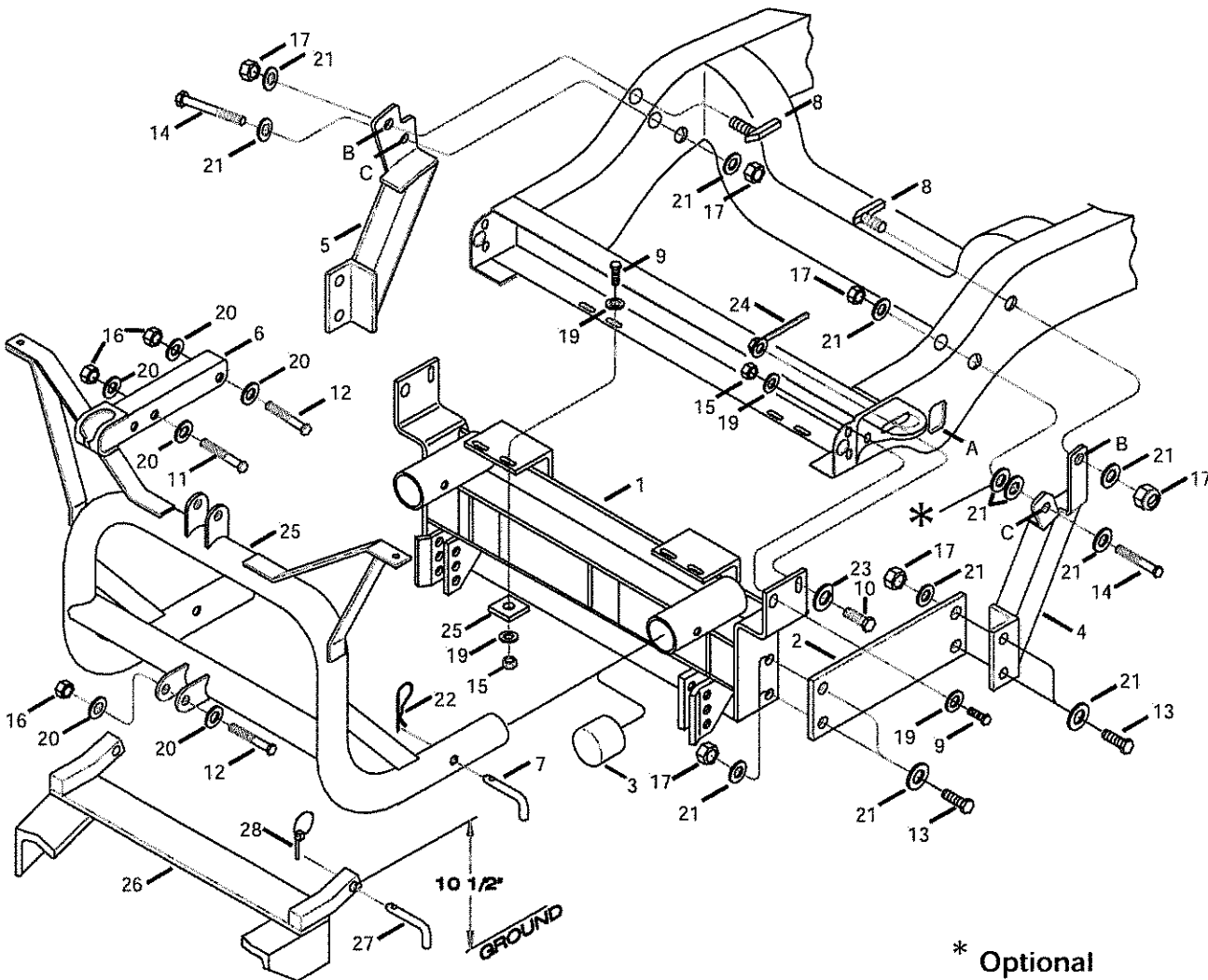
SAFETY PRECAUTIONS should be used when **Hydraulic Unit** is in **OPERATION** and plow is in a **RAISED** position. Lower plow to ground when vehicle is **PARKED**.

OVERHAUL and **SERVICE INFORMATION** are covered on separate instructions.

Follow these instructions explicitly. Warranty does not apply to a Meyer product which has been negligently or improperly assembled or installed.

TORQUE CHART FOOT LBS.

Bolt Nut Size	Gr. 2	Gr. 5	Gr. 8
1/4 - 20	4 - 5		
5/16 - 18	9 - 11		
3/8 - 16	17 - 20		
7/16 - 14		26 - 29	
1/2 - 13		42 - 46	60 - 66
5/8 - 11		127 - 141	179 - 198
3/4 - 10		227 - 251	



* Optional
See note Para. "G"

INSTALLATION INSTRUCTIONS

- A. Remove rear bumper support bracket bolt from vehicle frame. Retain all hardware They will not be reused.
- B. Prior to installation of clevis frame (1) remove adjustment bolts (Part No. 22153) from receiver tubes. Coat bolt threads with chassis grease or anti-seize lubricant. Re-install bolts, making sure they do not protrude inside receiver tubes.
- C. Attach clevis frame (1) to vehicle frame at rear bumper support bracket using 7/16-14 x 1-1/2" bolt (9), flatwasher (19), Washer Plate (25), locknut (15); and at rear slot in vehicle frame using 5/8-11 x 1-1/2" bolt (10), special flatwasher (23), and handle nut (24) per illustration.

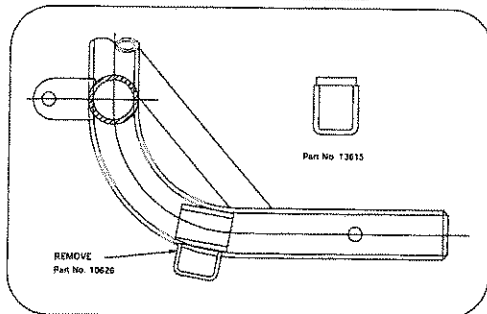
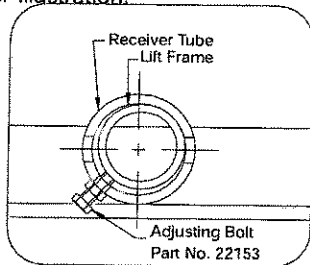
Note: It may be necessary to loosen the outer bumper support brackets to insert handle nut through rectangular hole in side of vehicle frame hole "A". Attach clevis frame to the bottom flange on front vehicle crossmember using 7/16-14 x 1-1/2" bolt (9), flatwasher (19), and locknut (15).

IMPORTANT: Clevis frame (1) must be positioned so the side plates are vertical and receiver tubes are parallel with the ground before tightening. Tighten clevis frame bolts (per torque specification chart) in the same order they were assembled to the vehicle.

- D. Attach brace bars (2) snugly to the clevis frame (1) and to side members (4&5) using 3/4-10 x 2-1/4" bolts (13), flatwashers (21) and locknuts (17).

Note: Depending on the vehicle's manufacture date, holes may already be in vehicle frame for attaching sidemembers (4&5). If so, skip paragraph "E".

- E. Temporarily raise side members (4&5) until they meet vehicle frame. While holding them tight against underside of vehicle frame and using the holes in side members as a template, scribe hole location for holes to be drilled in vehicle frame. Lower side members (4&5). **NOTE:** for ease in drilling holes, remove both front tires and jack vehicle body upward to allow clearance of strut on driver's side. Drill a 13/16" hole "C" and a 1" hole "B" (passenger side) in vehicle frame per illustration.



- F. B and C holes to mount side member (4) are already located in the vehicle frame. Holes may require resizing (Reaming) for assembly of attachment bolts.
- G. Attach Side members (4&5) at hole "C" using 3/4-10 x 5" bolt (14), flatwasher (21), and locknut (17) and at hole "B" using special bolt (8) flatwasher (21), and locknut (17). per illustration. **Note:** Due to vehicle frame variances it may or may not be necessary to use washers (21) at hole "C". See illustration.
- H. Tighten all fasteners to their proper torque. Tighten bolt in the same order they were assembled to the vehicle.

IMPORTANT: When installation is complete and all bolts have been torqued, it will be necessary to cut off the excess length of the handle on the handle nut (24).

Depending upon the S.A.F. Carton being installed, additional stops may need to be added or removed.

- I. When installing S.A.F. Carton 16505, additional stops (Part No. 10626) on lift frame should be removed and stops (Part No. 13615) installed.
- J. When installing S.A.F. Carton 16504, lift frame should retain the additional stops (Part No. 10626).

Note: Before installing lift frame tubing to clevis frame, liberally coat ends of lift frame with chassis grease / anti-seize lubricant.

- K. Install Lift Frame (26) into the tubes on the clevis frame. Turn adjusting bolts in until contact is made with lift frame.

Caution: Do not over tighten adjustment bolts. Adjust bolts for minimum clearance between lift frame and receiver tubes while still allowing for ease of lift frame removal. See illustration. Secure lift frame (26) to clevis frame (1) using hinge Pins (7) and hair pin cotters (22).

- L. Attach lift arm (6) to lift frame (26) using 5/8-11 x 3-1/2" bolt (12), flatwasher (20), and locknut (16). Mount Hydraulic unit to lift frame using 5/8-11 x 3-1/2" bolt (12), flatwasher (20) and locknut (16), and to lift arm (6) using 5/8-11 x 3" bolt (11), flatwasher (20), and locknut (16). (**SEE WARNING**)
- M. Install hydraulic system and snow plow lights per separate instructions.
- N. Pre-Assemble Moldboard Assembly, A-Frame (27), Sector, ect., per separate instructions.
- O. Connect the A-frame (27) to the clevis frame (1) using hinge pins (28) and linch pins (29).
- P. Hook the A-Frame chain to the Lift Arm (6) allowing sufficient slack to enable the Moldboard to follow ground contour while plowing.

Note: When the lift frame module (25) is removed from the vehicle, the insides of the clevis frame (1) receiver tubes and outside ends of the lift frame should be coated with chassis grease/anti-seize lubricant and the protective receiver tube caps (3) install over the clevis frame receiver tubes.