



**PARTS & INSTALLATION INSTRUCTIONS**  
**MDII™ and EZ MOUNT PLUS™**  
**SNOW PLOW MOUNTING 17119**  
**1988 & 2000 GMC and CHEVROLET C/K SERIES**  
**GMT 400 (Classic) 4x4 MODELS**

End user must be given this instruction sheet prior to delivery of this Snow Plow.

**SAFETY DEFINITIONS**

	This is the safety alert symbol. It is used to alert you to potential personal injury hazards. Obey all safety messages that follow this symbol to avoid possible injury or death.
	<b>DANGER</b> Indicates an imminently hazardous situation which, if not avoided, will result in death or serious injury.
	<b>WARNING</b> Indicates a potentially hazardous situation which, if not avoided, could result in death or serious injury.
	<b>CAUTION</b> Indicates an potentially hazardous situation which, if not avoided, may result in minor or moderate injury.
	<b>CAUTION</b> used without the safety alert symbol indicates a potentially hazardous situation which, if not avoided, will result in property damage.

**IMPORTANT NOTICE**

In conjunction with FMVSS (Federal Motor Vehicle Safety Standards) and OEM (Original Equipment Manufacturer) guidelines, Meyer Products has designed this plow package with the following guidelines:

	Installation of a snowplow may effect your new vehicle warranty. For more information consult your Vehicle Owner's Manual / Vehicle Dealer.
	The vehicle must not be operated when overloaded. In all cases, the loaded vehicle weight, including the entire snowplow system, all aftermarket accessories, driver, passenger, options, nominal fluid levels, and cargo must not exceed the front/rear Gross Axle Weight Rating (GAWR), and total Gross Vehicle Weight Rating (GVWR). These weights ratings are specified on the safety compliance certification label on the driver's side door opening. The use of rear ballast weight may be required to prevent exceeding the front GAWR.

According to the NHTSA (National Highway Traffic Safety Administration) new and untitled vehicles need to be verified by the installer that snowplow and ballast (if needed) do no exceed the front/rear GAWR and total GVWR.

	Read the Meyer Owner's Manual before operating or servicing a snowplow. <b>FOLLOW THESE INSTRUCTIONS EXPLICITLY.</b>
--	--

**GENERAL INFORMATION**

	<b>SAFETY PRECAUTIONS</b> should be used when <b>Hydraulic Unit is in OPERATION</b> and plow is in a <b>RAISED</b> position. <b>Lower plow to ground when vehicle is PARKED in case of hydraulic failure.</b>
--	---

Check contents against the parts list to determine all are correct and included, and also to familiarize yourself with them.

	Warranty does not apply to a Meyer or Diamond product which has been negligently or improperly assembled or installed.
--	--

	<b>CAUTION: To avoid harm to vehicles electrical system always disconnect battery before beginning installation. DO NOT BURN holes or WELD vehicle frame. This may cause frame failure.</b>
--	---

**OVERHAUL and SERVICE INFORMATION** are covered on separate instructions.

Meyer Products and Diamond Equipment reserves the right, under its continuing product improvement program, to change construction or design details, specifications and prices without notice or without incurring any obligation.

Meyer Products Inc.  
18513 Euclid Ave. • Cleveland, Ohio 44112-1084  
Phone 486-1313 (Area Code 216)  
www.meyerproducts.com • email info@meyerproducts.com

Diamond Equipment  
6 Angell Lane • Damariscotta, ME 04543-4507  
Phone 563-2227 (Area Code 207)  
www.diamondplow.com • email info@diamondplow.com



## PARTS LIST

ITEM	PART NO.	QTY.	DESCRIPTION
	17119	1	MOUNTING CARTON
1	19029	1	• L.H. Side Mount
2	19030	1	• R.H. Side Mount
3	11785	1	• Underframe Weldment
	08733	1	• HARDWARE BAG
4	11291	2	•• Spacer Bar
5	20096	6	•• Bolt 1/2-13 x 1-3/4" Gr. 5
6	20098	2	•• Bolt 1/2-13 x 2-1/4" Gr. 5
7	20141	6	•• Bolt 5/8-11 x 2" Gr. 5
8	20307	8	•• Locknut Esna 1/2-13
9	20309	4	•• Locknut Esna 5/8-11
10	20355	10	•• Flatwasher 1/2"
11	8507005013	6	•• Lockwasher 14mm
12	20331	2	•• Lockwasher 5/8"
13	20357	2	•• Flatwasher 5/8"
14	22113	6	•• Bolt H M14x2x50mm Gr. 8.8
15	815000044	2	•• Rear Bolting Bar
	21976	2	•• Battery Connectors
*	19370	1	Universal Clevis (Part of Plus CLF Carton)
**	11770	1	Universal Clevis (Part of MDII CLF Carton)
11" SAF		15" SAF	
PART NO.		MEYER	
16515		DESCRIPTION	
16516		1	
16515		Sector A-Frame Carton	
DIAMOND			
81504		1	
81026		1	
81504		Common Attaching Kit	
81026		Push Frame	

Parts indented are included in the carton, bag or assembly under which they are indented.

## IMPORTANT

After first use, retighten all mounting bolt connections to specified torque. All mounting bolt connections to be checked periodically for tightness.

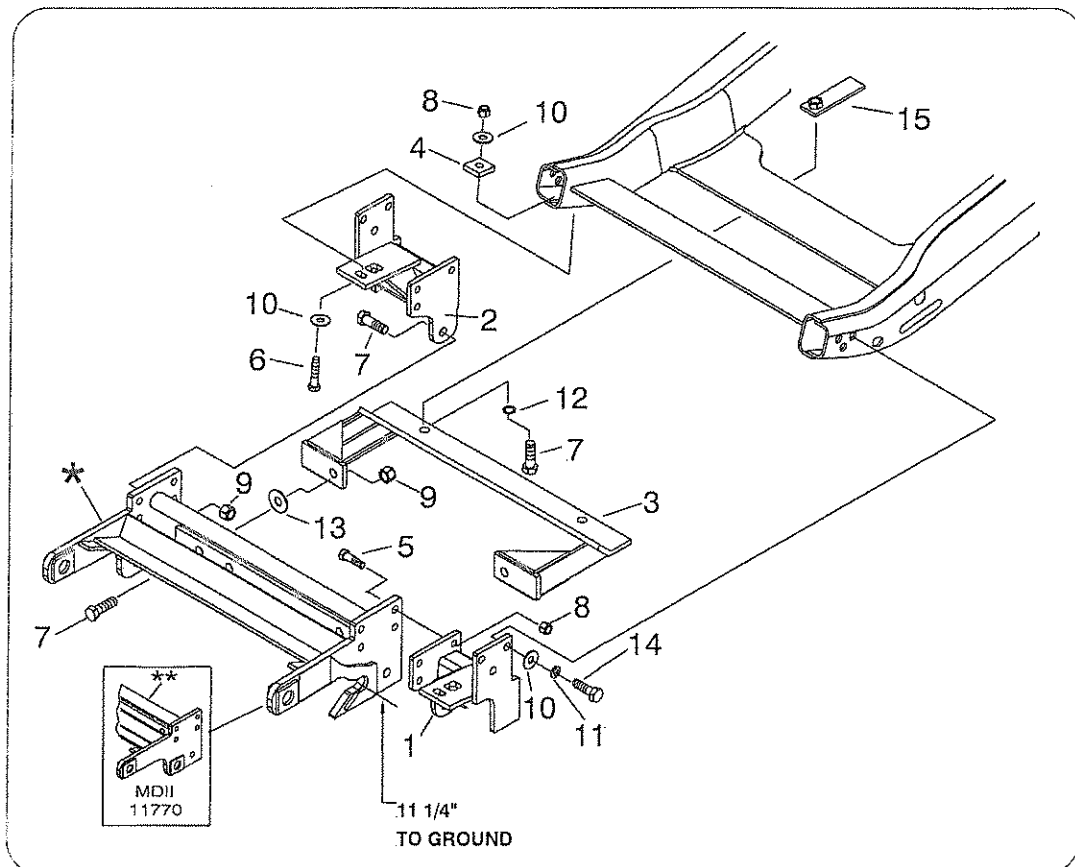
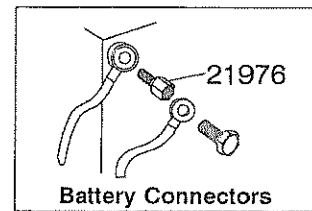
Locknuts are furnished **DO NOT** tighten bolts and nuts until installation is complete (unless otherwise specified), then be sure to tighten all attaching parts per specified torque chart.

## TORQUE CHART FOOT

Bolt Nut Size	Gr. 2	Gr. 5	Gr. 8
1/4 - 20	4 - 5		
5/16 - 18	9 - 11		
3/8 - 16	17 - 20	28 - 29	
7/16 - 14		42 - 46	60 - 66
1/2 - 13		64 - 72	90 - 100
5/8 - 11		127 - 141	179 - 198

## NOTE:

THIS MOUNTING CARTON CAN BE USED WITH THE MDII OR EZ MOUNT PLUS CLF CARTONS.



## VEHICLE RECOMMENDATIONS

### General Motors Corp.

General Motors recommends snowplow usage for only those trucks that have the option "VYU" Snow Plow Preparation Package.

1988 thru 1997

Model	Front G.A.W.R.
<b>Regular Cab ONLY</b>	
K 1500	3600 lb.
K 2500	3750 lb.
K 3500	3750 lb.

**Extended Cab 1997**

K2500/3500	4250 lb.
------------	----------

1988 thru 2000

Model	G.V.W.	Opt.Code	Frt. G.V.W.R.
<b>Reg. Cab only</b>			
K1500	6100 lb.	(C5M)	3925 lb.
2000 K1500	6400 lb.	(C7H)	3925 lb.

**Regular/Extended Cab**

Model	G.V.W.	Opt.Code	Frt. G.V.W.R.
2000 C 2500	7200 lb.	(C5Z)	4100 lb.
C 2500	8600 lb.	(C6P)	4100 lb.
K 2500	8600 lb.	(C6P)	4500 lb.

**Sport Utility Vehicles**

Model	G.V.W.	Opt.Code	Frt. G.V.W.R.
2000 C2500	8600	(VYU)	4100 lb.
2000 K2500	8600	(VYU)	4500 lb.

General Motors recommends that when a snow plow is mounted that only one passenger should accompany the driver. More than one passenger may exceed front gross axle weight ratings.

#### ⚠ WARNING

- A ballast weight may be required to prevent front GAWR overloading. If required, ballast must be securely attached at least 24 inches behind the rear axle.

#### ⚠ WARNING

- Front end wheel alignment and headlight aim may require readjustment after installation of equipment, and is the responsibility of the equipment installer. Failure to adjust front wheel alignment may cause premature uneven tire wear. If required, reset to chassis manufacturer's specifications found in the GM Shop Manual.

Rear ballast is determined by weighing a vehicle's front and rear axles and adding weight behind the rear axle until front axle weight is under or equal to the vehicle specific front GAWR while not exceeding the rear GAWR and GVWR.

Vehicle option packages may vary. If in doubt, it is always a good idea to weigh the vehicle to ensure all weight ratings are not exceeded with plow in the raised position.

## INSTALLATION INSTRUCTIONS

- Remove tow hooks. Retain all hardware. The tow hooks will not be reinstalled.
  - Remove air dam. Retain all hardware. The air dam will not be reinstalled.
  - Remove 3 bolts from both the L.H. (Driver) and R.H. (Passenger) radiator mounting brackets. These bolts will not be reused.
  - Position the L.H. Side Mount (1) over the driver side radiator mounting bracket. Attach the L.H. Side Mount using three M14-2 x 50mm Bolts (14), 14mm Lockwashers (11), and 1/2" Flatwashers (10). Repeat for the R.H. Side Mount (2) on the passenger side. **Snug all bolts during the installation. Do not torque any bolts until step I.**
  - Secure the L.H. & R.H. Side Mounts (1&2) to the bottom flange of the vehicle frame using 1/2-13 x 2-1/4" Bolts (6), 1/2" Flatwashers (10), Spacer Bars (4), and 1/2-13 Locknuts (8).
  - Position the Universal Clevis (\*) between the LH & RH Side Mounts (1&2) and attach to the upper three holes using three 1/2-13 x 1-3/4" Bolts (5), and 1/2-13 Locknuts (8) on each side. Attach the lower hole of the LH & RH Side Mounts (1&2) to the lower hole in the Universal Clevis (\*) using a 5/8-11 x 2" Bolt (7), and 5/8-11 Locknut (9) on each side.
  - Attach the front two holes in Underframe (3) to the Universal Clevis (\*) using 5/8-11 x 2" Bolts (7), and 5/8-11 Locknuts (9). **Note: One 5/8" Flatwasher (13) should be sandwiched between the Universal Clevis (\*) and the Underframe (3) on each side before snugging the 5/8-11 Locknuts (9).**
  - Install the Rear Bolting Bars (15) inside the front suspension cross member with the threaded holes in each bolting bar lined up with the two holes down through the bottom of the cross member. Attach the rear two holes in Underframe (3) through the vehicle cross-member to the Rear Bolting Bars (15) using 5/8-11 x 2" bolts (7), and 5/8" Lockwashers (12).
- Note: Before tightening the fasteners, the Clevis Frame (\*) should be level with the ground and pushed back as far under the vehicle as possible.**
- Tighten all fasteners to their proper torque. Tighten bolts in the same order they were assembled to the vehicle.
  - Install remaining snowplow hardware per separate instructions.

Meyer Products or Diamond Equipment assumes no responsibility for installations not made in accordance

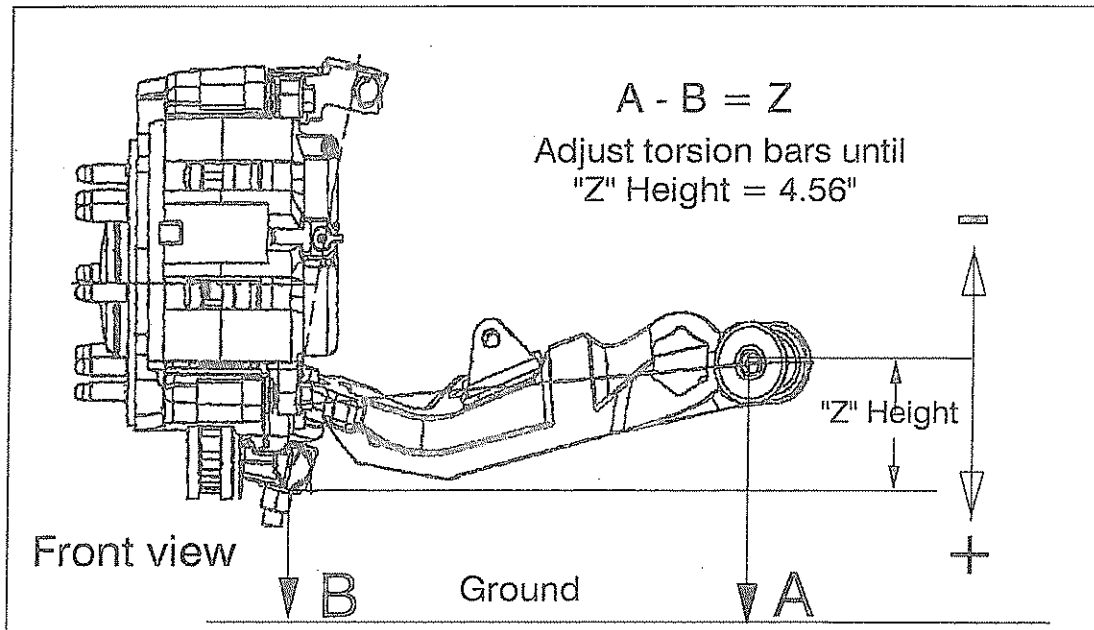
# SUPPLEMENT

## 1999 and later GMC and Chevrolet K1500 - K2500 4x4 & C2500 4 x 2 Models NEW BODY STYLE

### IMPORTANT NOTICE

End user must be given this instruction sheet prior to delivery of this Snow Plow.  
The equipment you have just purchased should only be used on vehicles equipped with the Manufacturer's Snow Plow Preparation Packages. Snow Plowing without the original Snow Plow Preparation Package may damage your vehicle and the added weight to the equipment may impair the operation and control of the vehicle. Snow Plowing with a vehicle that the manufacturer does not recommend for that purpose may void your new vehicle warranty. If your vehicle is not originally equipped with the Snow Plow Package, additional parts may be necessary before snow plowing. Owners of these vehicles should consult their dealers before purchase or installation of such parts. CAUTION: the installation, on any vehicle, of these parts is not a full substitute for the original equipment Snow Plow Preparation Package. General Motors recommends that C2500 4x2 vehicles used for snow plowing have the 8,600 lb. GVWR optional front suspension package C6P.  
Warning: Lift Arm extends beyond bumper of vehicle. To minimize damage from a front-end collision, Lift Arm should be removed from vehicle when Snow Plow is removed.

*General Motors recommends that for snowplow application, the vehicle "Z" height be checked after all permanently attached hardware is installed. To maintain the proper "Z" Height of the vehicle suspension, it may be necessary to adjust the vehicle torsion bars. See illustration*  
*This procedure may still be necessary even though the vehicle is equipped with the (VYU) snowplow preparation package.*



Parts indented are included in the carton, bag or assembly under which they are indented.

Meyer Products Inc. and Diamond Equipment reserves the right, under its continuing product improvement program, to change construction or design details, specifications and prices without notice or without incurring any obligation.

Meyer Products  
18513 Euclid Ave. • Cleveland, Ohio 44112-1084  
Phone 486-1313 (Area Code 216)  
email warranty@meyerproducts.com

Diamond Equipment  
6 Angell Lane • Damariscotta, ME 04543-4507  
Phone 563-2227 (Area Code 207)  
email info@diamondplow.com