



**PARTS & INSTALLATION INSTRUCTIONS  
EZ MOUNT PLUS™**

**SNOW PLOW MOUNTING CARTON 17159  
2005 & LATER DODGE DAKOTA /  
2004 & LATER DODGE DURANGO 4x4 MODELS  
Non-Commercial, Personal Use Only**

End user must be given this instruction sheet prior to delivery of Snow Plow.

**SAFETY DEFINITIONS**

	This is the safety alert symbol. It is used to alert you to potential personal injury hazards. Obey all safety messages that follow this symbol to avoid possible injury or death.
	<b>DANGER</b> Indicates an imminently hazardous situation which, if not avoided, will result in death or serious injury.
	<b>WARNING</b> Indicates a potentially hazardous situation which, if not avoided, could result in death or serious injury.
	<b>CAUTION</b> Indicates an potentially hazardous situation which, if not avoided, may result in minor or moderate injury.
	<b>CAUTION</b> used without the safety alert symbol indicates a potentially hazardous situation which, if not avoided, will result in property damage.

**IMPORTANT NOTICE**

In conjunction with FMVSS (Federal Motor Vehicle Safety Standards) and OEM (Original Equipment Manufacturer) guidelines, Meyer Products has designed this plow package with the following guidelines:

	Installation of a snowplow may effect your new vehicle warranty. For more information consult your Vehicle Owner's Manual / Vehicle Dealer.
	The vehicle must not be operated when overloaded. In all cases, the loaded vehicle weight, including the entire snowplow system, all aftermarket accessories, driver, passenger, options, nominal fluid levels, and cargo must not exceed the front/rear Gross Axle Weight Rating (GAWR), and total Gross Vehicle Weight Rating (GVWR). These weights ratings are specified on the safety compliance certification label on the driver's side door opening. The use of rear ballast weight may be required to prevent exceeding the front GAWR.

According to the NHTSA (National Highway Traffic Safety Administration) new and untitled vehicles need to be verified by the installer that snowplow and ballast (if needed) do no exceed the front/rear GAWR and total GVWR.

	Read the Meyer Owner's Manual before operating or servicing a snowplow. <b>FOLLOW THESE INSTRUCTIONS EXPLICITLY.</b>
--	--

**GENERAL INFORMATION**

	<b>SAFETY PRECAUTIONS</b> should be used when <b>Hydraulic Unit is in OPERATION</b> and plow is in a <b>RAISED</b> position. <b>Lower plow to ground when vehicle is PARKED</b> in case of hydraulic failure.
--	---

Check contents against the parts list to determine all are correct and included, and also to familiarize yourself with them.

	Warranty does not apply to a Meyer or Diamond product which has been negligently or improperly assembled or installed.
	<b>CAUTION: To avoid harm to vehicles electrical system always disconnect battery before beginning installation. DO NOT BURN</b> holes or <b>WELD</b> vehicle frame. This may cause frame failure.

**OVERHAUL and SERVICE INFORMATION** are covered on separate instructions.

Meyer Products and Diamond Equipment reserves the right, under its continuing product improvement program, to change construction or design details, specifications and prices without notice or without incurring any obligation.

Meyer Products LLC  
18513 Euclid Ave. • Cleveland, Ohio 44112-1084  
Phone 486-1313 (Area Code 216)  
www.meyerproducts.com • email info@meyerproducts.com



Diamond Equipment  
6 Angell Lane • Damariscotta, ME 04543-4507  
Phone 563-2227 (Area Code 207)  
www.diamondplow.com • email info@diamondplow.com

## PARTS LIST

ITEM	PART NO.	QTY.	DESCRIPTION
	17159	1	<b>MOUNTING CARTON</b>
1	19630	1	• R.H. Mounting Weld
2	19631	1	• L.H. Mounting Weld
3	19655	2	• Spacers
4	19639	4	• Handle Bolt 1/2-13
	08124	1	• <b>HARDWARE BAG</b>
5a	20097	8	•• Bolt 1/2-13 x 2" Gr. 5
5b	20101	8	•• Bolt 1/2-13 x 3" Gr. 5
6a	20141	2	•• Bolt 5/8-11 x 2" Gr. 5
6b	20145	2	•• Bolt 5/8-11 x 3" Gr. 5
7	20307	12	•• Locknut Esna 1/2-13
8	20309	2	•• Locknut Esna 5/8-11
9	20355	24	•• Flatwasher 1/2"
10	20357	4	•• Flatwasher 5/8"
*	19370	1	<b>Universal Clevis (Part of Plus CLF Carton)</b>
**	11770	1	<b>Universal Clevis (Part of MDII CLF Carton)</b>
	<b>11" SAF</b>		<b>MEYER</b>
	<b>PART NO.</b>	<b>QTY.</b>	<b>DESCRIPTION</b>
	16520	1	<b>Sector A-Frame Carton</b>

Parts indented are included in the carton, bag or assembly under which they are indented.

### IMPORTANT

After first use, retighten all mounting bolt connections to specified torque. All mounting bolt connections to be checked periodically for tightness.

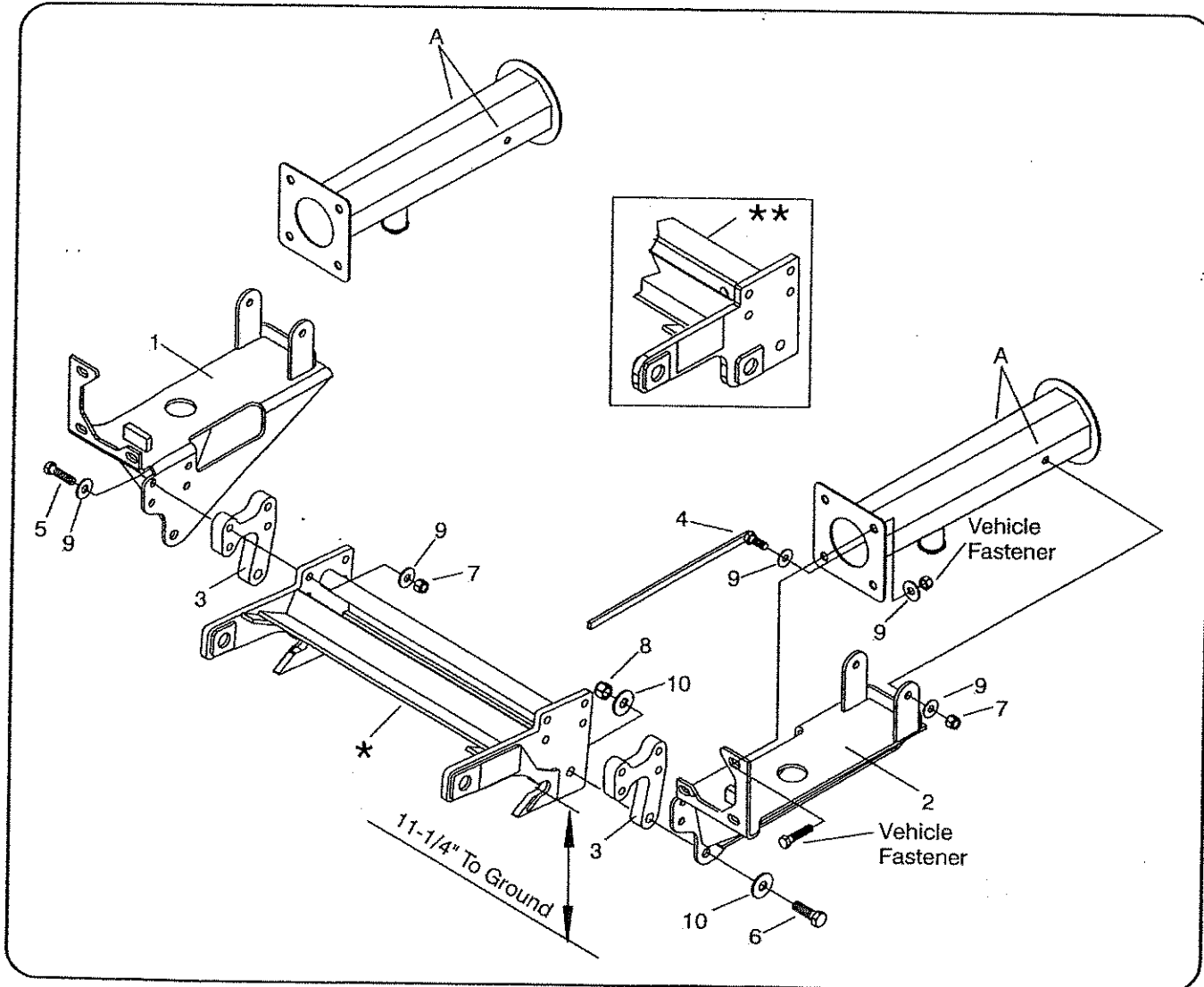
Locknuts are furnished **DO NOT** tighten bolts and nuts until installation is complete (unless otherwise specified), then be sure to tighten all attaching parts per specified torque chart.

### TORQUE CHART FOOT

Bolt Nut Size	Gr. 2	Gr. 5	Gr. 8
1/4-20	4-5		
5/16-18	9-11		
3/8-16	17-20	26-29	
7/16-14		42-46	60-66
1/2-13		64-72	90-100
5/8-11		127-141	179-198

### NOTE:

THIS MOUNTING CARTON CAN BE USED WITH THE MDII OR EZ MOUNT PLUS CLF CARTONS.



## VEHICLE RECOMMENDATIONS

### ⚠WARNING

- Due to weight restrictions on these vehicle's front GAWR, a STL-7.5 moldboard is the largest that can safely be installed on a Dodge Dakota / Durango. Also limit to driver and one passenger only while plow is installed.

### ⚠WARNING

- Ballast weight is required on Dakota Crew Cab and all Durango models. Ballast must be securely attached 9 inches from the rear tailgate / rear hatch:

**Dakota Crew Cab - 100 lbs**

**Durango - 600 lbs w/ 2 occupants, 335 lbs w/ driver only**

Salt or sand in bags are recommended as ballast.

- Front end wheel alignment and headlight aim may require readjustment after installation of equipment, and is the responsibility of the equipment installer. Failure to adjust front wheel alignment may cause premature uneven tire wear. If required, reset to chassis manufacturer's specifications found in the Dodge Shop Manual.

Rear ballast is determined by weighing a vehicle's front and rear axles and adding weight behind the rear axle until front axle weight is under or equal to the vehicle specific front GAWR while not exceeding the rear GAWR and GVWR.

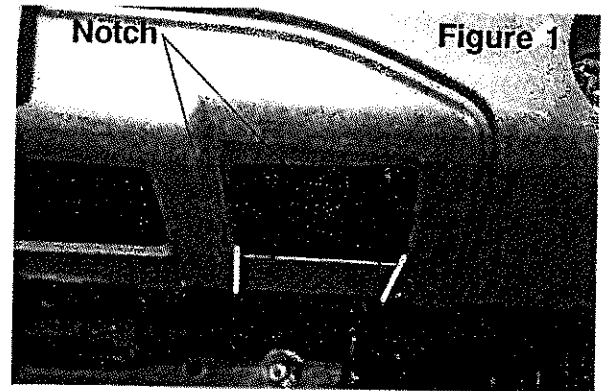
Vehicle option packages may vary. If in doubt, it is always a good idea to weigh the vehicle to ensure all weight ratings are not exceeded with plow in the raised position.

## INSTALLATION INSTRUCTIONS

- Remove the three nuts connecting the front bumper and radiator shroud from the vehicles frame. Retain these 3 nuts for later in install. If applicable, remove the tow hooks at this time. The tow hooks and radiator shroud cannot be used with the plow mounts installed. Retain the tow hooks, radiator shroud, and fasteners for reinstallation if snowplow is removed.
- Align the front holes of the L.H. and R.H. Mounting Weld's (1 & 2) with the three studs protruding thru the vehicle frame from the bumper.
- Hold the L.H. and R.H. Mounting Weld's (1 & 2) tight to the bottom of the frame using a clamp. Snug the original bumper nuts to hold the mount in place.

**Meyer Products or Diamond Equipment assumes no responsibility for installations not made in accordance with these instructions.**

- Using the rear holes in the L.H. and R.H. Mounting Weld's (1 & 2) as a drilling template, drill a 17/32 hole (A) through the truck frame in four places.
- With mounting still clamped to the frame, remove the bumper, retain all hardware. Place a 1/2 Flatwasher (9) into the Handle Bolt (4). Insert the four Handle Bolts (4) through the hole on the front of the frame and out through the drilled frame holes and rear support legs of the L.H. and R.H. Mounting Weld's (1 & 2). Fasten each using a 1/2" Flatwasher (9) and a 1/2"-13 Locknut (7) and hand tighten.
- Reinstall the bumper through both frames mounting flanges and the L.H. and R.H. Mounting Weld's (1 & 2). Reuse and hand tighten the fasteners that have been retained in step E. **Note: On Durango Notch bumper valance on both sides of vehicle as shown in Figure 1. Be sure to not cut out mounting hole in bumper valance**



- Dodge Dakota:** Attach the L.H. and R.H. Mounting Weld's (1 & 2) to the Universal Clevis (\*) using 1/2-13 x 2" Bolts (5a), 1/2" Flatwashers (9) and 1.2-13 locknuts (7) in the upper four holes. Attach the lower holes by using 5/8-11 x 2" bolts (6a) 5/8" Flatwashers (10) and 5/8-11 locknuts (8)

**Dodge Durango:** Attach the L.H. and R.H. Mounting Weld's (1 & 2) to the Universal Clevis (\*) using 1.2-13 x 3" Bolts (5b), 1/2" Flatwashers (9) and 1/2-13 locknuts (7) in the upper four holes. **Note: Spacer Block (3) will be need to be positioned between Mounting Welds (1 & 2) and Universal Clevis (\*)** Attach the lower holes by using 5/8-11 x 3" bolts (6b), 5/8" Flatwashers (10) and 5/8-11 locknuts (8)

**Note: before tightening the fasteners, the clevis (\*) should be level with the ground and pushed back as far under the vehicle as possible.**

- Realign the bumper assembly with the vehicle for correct appearance.
- Tighten all fasteners to their proper torque. Tighter bolts in the same order they were assembled to the vehicle.
- Install remaining snowplow hardware per separate instructions.