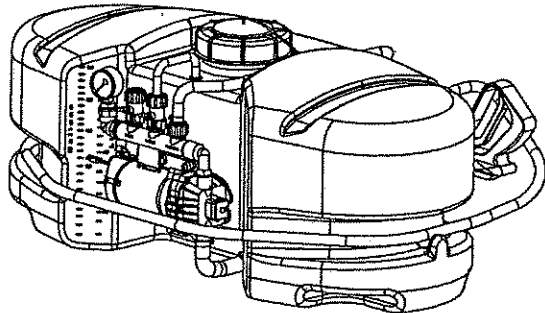


OWNER'S MANUAL

Model: SC25-ATV-DX-T-NS (5301732)

(25 Gallon Lawn & Garden Spot Sprayer w/Deluxe Pistol-Grip Handgun)



**BEFORE RETURNING THIS PRODUCT
FOR ANY REASON, PLEASE CALL**

1-800-831-0027

**IF YOU SHOULD HAVE A QUESTION OR
EXPERIENCE A PROBLEM WITH YOUR
SCORPION PRODUCT:**

1-800-831-0027

**BEFORE YOU CALL, PLEASE HAVE THE
FOLLOWING INFORMATION AVAILABLE:
SALES RECEIPT & MODEL NUMBER. IN MOST
CASES, A CUSTOMER SERVICE REPRESENTATIVE
CAN RESOLVE THE PROBLEM OVER THE PHONE.**

General Information

Thank you for purchasing this product. The purpose of this manual is to assist you in operating and maintaining your lawn & garden spot sprayer. Please read it carefully, as it furnishes information which will help you achieve years of trouble-free operation.

Warranty/Parts/Service

Products are warranted for one year from date of purchase against manufacturer or workmanship defects.

Commercial users have a 90 day warranty.

Your authorized dealer is the best source of replacement parts and service. To obtain prompt, efficient service, always remember to give the following information...

- Correct Part Description and/or part number.
- Model number/Serial number of your sprayer.

Part descriptions and part numbers can be obtained from the illustrated parts list section(s) of this manual.

Whenever you need parts or repair service, contact your distributor/dealer first. For warranty work, always take your original sales slip, or other evidence of purchase date, to your distributor/dealer.

Technical Specifications

- 25 Gal. Corrosion-Resistant Polyethylene Tank
- 12 Volt Diaphragm Pump, 3.8 g.p.m. - 45 p.s.i.
- Deluxe Pistol-Grip Handgun
- 15 Ft. Handgun Hose
- 26 Ft. max. vertical throw, 43 Ft. max. horizontal throw

Assembly

Your sprayer has been mostly assembled at the factory. The only requirement will be for you to hook up your battery. The only requirement will be for you to hook up your battery leads to a fully charged 12 Volt battery. The red wire must be connected to the "hot" lead, and the black wire should be connected to the ground.

Operation

Your sprayer is equipped with (2) ON/OFF switches. One is on the wire assembly that you hook up to your battery, the other is on the pump itself, on the opposite end of the pressure switch. The "-" is the "ON" position and the "o" is the "OFF" position for the switches. Make sure both switches are depressed in the "-" position for operation.

In addition to the ON/OFF switch, the pump is equipped with an electronic pressure switch that is factory pre-set for it to shut off at 45 p.s.i.. This switch assembly is the 'square box' on the head portion of the pump.

Always fill the tank with a desired amount of water first, and then add the chemical slowly, mixing as you pour the chemical into the tank. You may use the handgun to spray into the solution in order to mix the chemical and water.

Initially begin spraying by opening the handgun. This will enable the air in the line to be purged through the handgun tip, while building pressure.

The pumping system draws solution from the tank, through the strainer/filter, and to the pump. The pump forces the solution under pressure to the handgun and/or boom nozzles.

- Open the handgun by squeezing the handle lever.
- Rotating the adjustable nozzle tip on the handgun will change the tip pattern from a straight stream to a cone pattern (finer mist).



1000 FIMCO Lane, P.O. Box 1700, North Sioux City, SD 57049
Toll Free Phone: 800-831-0027 : Toll Free Fax: 800-494-0440

Form No. 1513 [5004933 (10/10)] Printed in the U.S.A.

After Spraying

After use, fill the sprayer tank part way with water. Start the sprayer, and allow the clear water to be pumped through the plumbing system and out through the spray nozzles. Refill the tank about half full with plain water and use FIMCO Tank Neutralizer and Cleaner, and repeat cleaning instructions above.

Flush the entire sprayer with the neutralizing/cleaning agent, then flush out one more time with plain water. Follow the chemical manufacturer's disposal instructions of all wash or rinsing water.

For the boom, (if applicable) remove the tips and screens from the nozzle assemblies. Wash these items out thoroughly. Blow the orifice clean and dry. If the orifice remains clogged, clean it with a fine bristle (NOT WIRE) brush, or with a toothpick. Do not damage the orifice. Water rinse and dry the tips before storing.

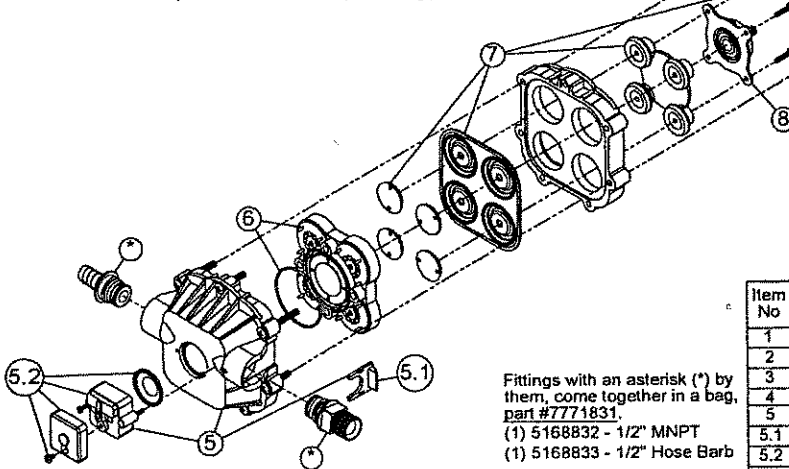
WARNING: Some chemicals will damage the pump valves if allowed to soak untreated for a length of time! ALWAYS flush the pump as instructed after each use.

Winter Storage

Drain all water out of your sprayer, paying special attention to the pump, handgun, and valve(s). These items are especially prone to damage from chemicals and freezing weather.

The sprayer should be winterized before storage by pumping a solution of RV antifreeze through the entire plumbing system. This antifreeze solution should remain in the plumbing system during the winter months. When spring time comes and you are preparing your sprayer for the spray season, rinse the entire plumbing system out, clearing the lines of the antifreeze solution. Proper care and maintenance will prolong the life of your sprayer.

#5275704 Pump (12 Volt, 11 Amp, 3.8 gpm, 45 psi)



Fittings with an asterisk (*) by them, come together in a bag, part #7771831.
(1) 5168832 - 1/2" MNPT
(1) 5168833 - 1/2" Hose Barb

Troubleshooting a 3.8 q.p.m. Pump:

Pump will NOT run:

- Check inline fuse on the wires on the pump. If blown, replace with new fuse. (15 Amp mini-blade fuse #5157206)
- Make sure BOTH on/off switches are in the 'on' position (-).
- Make sure you 12 volt source (battery) is fully charged.
- Insure a tight connection at the battery clips.

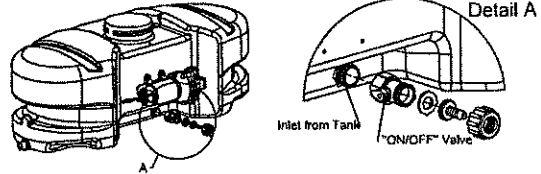
If none of the above will work, try pulling wire terminal "A" off of the spade terminal of the pressure switch, and cross it over and touch terminal "B". (You will need to remove the pressure switch cap before doing this) If your pump runs when you do this, you know you will need to replace your pressure switch.

Another thing you can try is to take apart the switch box on the lead wire assembly (#5274443) with the (2) phillips head screws, and 'hot-wire' it together. Take the (2) wires that are screwed to the rocker switch, off of the switch and twist them together. This will insure you are getting the full 12 volts to the pump. If your pump runs after doing this, you will know that your lead wire assembly needs to be replaced.

Pump runs, but does not prime:

- Check line strainer (screen) at the inlet location, at the tank. You will need to unscrew the knurled nut to access this screen. (see exploded view later in this manual) The ON/OFF valve should be closed while performing this, to insure you do not lose any solution. Periodically take the screen at this location out and clean it.
- Make sure the bypass line valve is closed, to allow the pressure to build up in your system.
- Unscrew the head portion of your pump and remove the check valve assembly from inside. You need to make sure the O-Ring comes out with this piece as well. (See the exploded view to help identify these components) These pieces can be cleaned which, in most cases, will help restore some, if not most, of your prime. Soak this check valve in a solution of hot, soapy water. A good name-brand dishsoap works well for this. A little bit of 'scrubbing' with perhaps an old toothbrush may be required to actually break up any build-up that may be on the check valve. Rinse off the pieces and replace them back into your pump. Reassemble the pump. Hook it back up and test.

*** IMPORTANT REMINDER ***



This unit comes with an On/Off valve, located near the inlet of the tank, towards the underside. (See Detail A)
You must make sure the valve is in the "open" position before using your unit.

CAUTION

PRESSURE SWITCH OPERATION

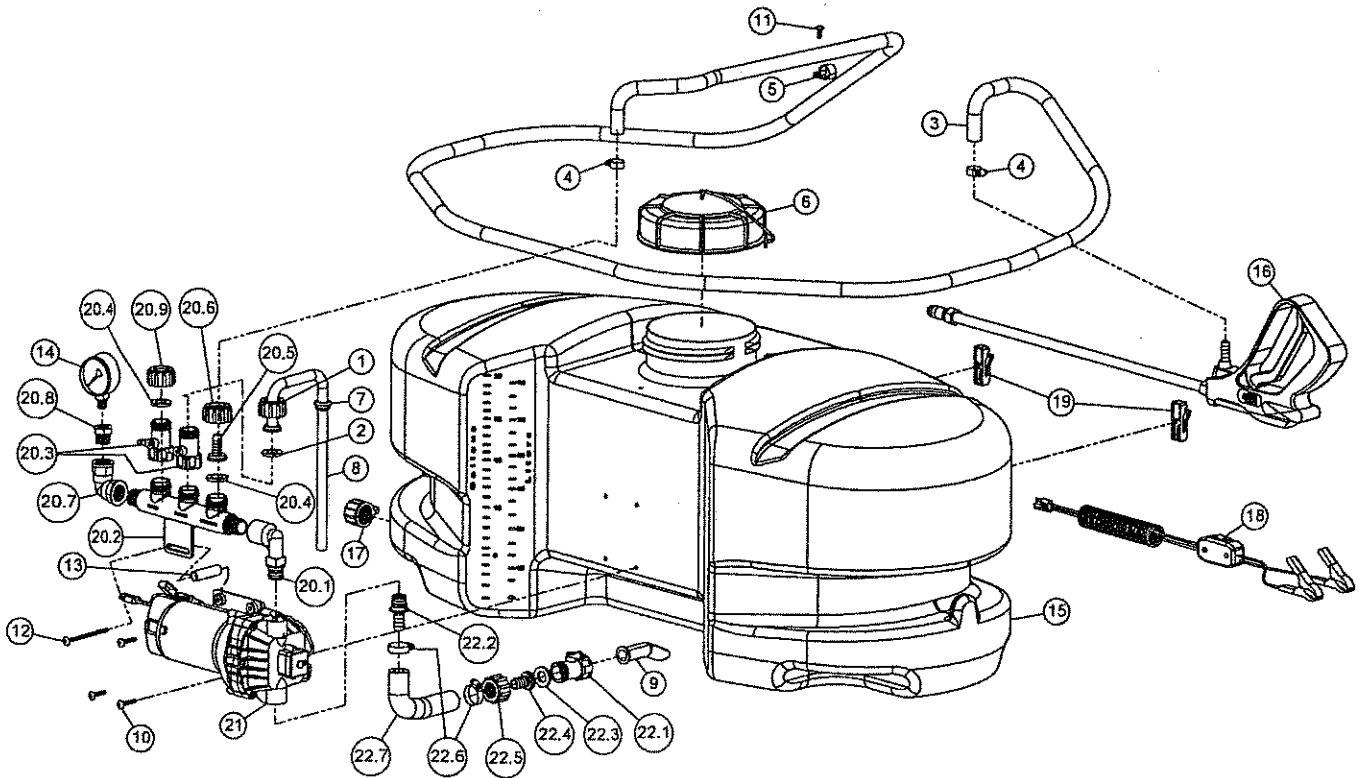
Pressure switch is pre-set at the factory. Improper adjustment of the pressure switch, may cause severe overload or premature failure. If the pump is subjected to rapid cycling during normal operation, or infrequent periods, damage may occur.

WARNING

DO NOT USE PUMP IN AN EXPLOSIVE ENVIRONMENT. DO NOT USE TO PUMP FLAMMABLE FLUIDS, GASOLINE, KEROSENE, FUEL, OIL, ETC.

Item No	Part Number	Qty	Description	List Price
1	5029092	1	Base Plate (Quad Pump)	9.25
2	5075019	1	Pkg. (4) Grommets	2.99
3	5157206	1	15 Amp Mini Fuse	3.99
4	5157207	1	Rocker Switch	6.99
5	5168821	1	Upper Housing	39.95
5.1	20408-000	1	Pkg. (2) Clips (Port Fitting)	3.41
5.2	5157203	1	Pressure Switch Assembly	23.95
6	5168824	1	Check Valve Kit w/O-Ring & Ferrules	24.99
7	5168826	1	Diaphragm Kit w/Pistons & (4) Screws	19.96
8	5168828	1	Cam/Bearing Kit, w/Set Screw	12.95

Exploded View/Parts List: SC25-ATV-DX-T-NS (5301732)



Item No	Part Number	Qty	Description	List Price
1	5006209	1	Poly Knurled Swivel Nut, 3/4" FGHT	.70
2	5016066	1	Garden Hose Washer	.20
3	5020215	1	Hose, 3/8"-1 Brd. x 15 Ft.	10.35
4	5051114	2	Hose Clamp (3/8"-1/2")	.63
5	5051122	1	5/8" Black Nylon Loom Cable Clamp	.25
6	5058188	1	Tank Lid w/Lanyard	10.50
7	5075018	1	Grommel	1.00
8	5100359	1	Poly Bypass "J" Hose (3.8 Pumps & 2.1 [25] Gallon)	1.95
9	5100452	1	Siphon Tube	1.20
10	5117168	3	#10-24 x 1" Phillips Truss Head Machine Screw	.25
11	5117234	1	#10-24 x 1/2" Phillips Truss Head Machine Screw	.25
12	5117314	1	#10-24 x 3" Truss Head Machine Screw	.25
13	5127192	1	Manifold Spacer (3.8gpm)	.40
14	5167007	1	Gauge, 0-100 p.s.i.	6.25
15	5169254	1	25 Gallon (New Style) Tank (Yellow)	60.00
16	5273959	1	Handgun w/X-26 Tip	24.95
17	5274373	1	Drain Plug Cap, Tether, and Washer Assembly	2.95
18	5274443	1	Lead Wire Assembly (w/Switch), 96"	9.99
19	5274880	1	Pkg. (2) Handgun Clips & (2) Screws	2.85
20	5275517	1	Manifold Assembly	19.50
20.1	5010430	1	Port Kit Elbow, 1/2" FNPT	2.79
20.2	5143405	1	Manifold w/Mounting Tab	6.99
20.3	5143188	2	Nylon Shut-Off Valve	3.14
20.4	5016066	2	Garden Hose Washer	.20
20.5	5149034	1	Poly Swivel, 3/8" Hose Barb	.64
20.6	5006209	1	Poly Knurled Swivel Nut, 3/4" FGHT	.70
20.7	5010236	1	Poly Elbow, 1/2" FNPT x 1/2" FNPT	3.65
20.8	5041073	1	Poly Reducing Bushing, 1/2" MNPT x 1/4" FNPT	1.38
20.9	5046375	1	Poly Knurled Threaded Cap, (3/4" FGHT)	.56
21	5275704	1	Gold Series 3.8 g.p.m. Pump	159.00
22	5275877	1	Intake Sub-Assembly	8.33
22.1	5143188	1	Nylon Shut-Off Valve	3.14
22.2	5168833	1	Port Kit Fitting, 1/2" Hose Barb	2.24
22.3	5116242	1	Strainer, 1" Filter Washer	.31
22.4	5149035	1	Poly Swivel, 1/2" Hose Barb	.64
22.5	5006209	1	Poly Knurled Swivel Nut, 3/4" FGHT	.70
22.6	5051114	2	Hose Clamp (3/8"-1/2")	.63
22.7	5020497	1	1/2" Polyspring Hose x 6"	1.69

(List Prices are Subject to Change)