

Herd

SURE-FEED BROADCASTER

Herd

MODEL 1200C

CAPACITY:
1200 LBS., 20 CU. FT., 16 BU.

**Instructions for
ASSEMBLY, MOUNTING, SAFETY, SEEDING,
OPERATING and MAINTENANCE**



**REPAIR
PARTS LIST**



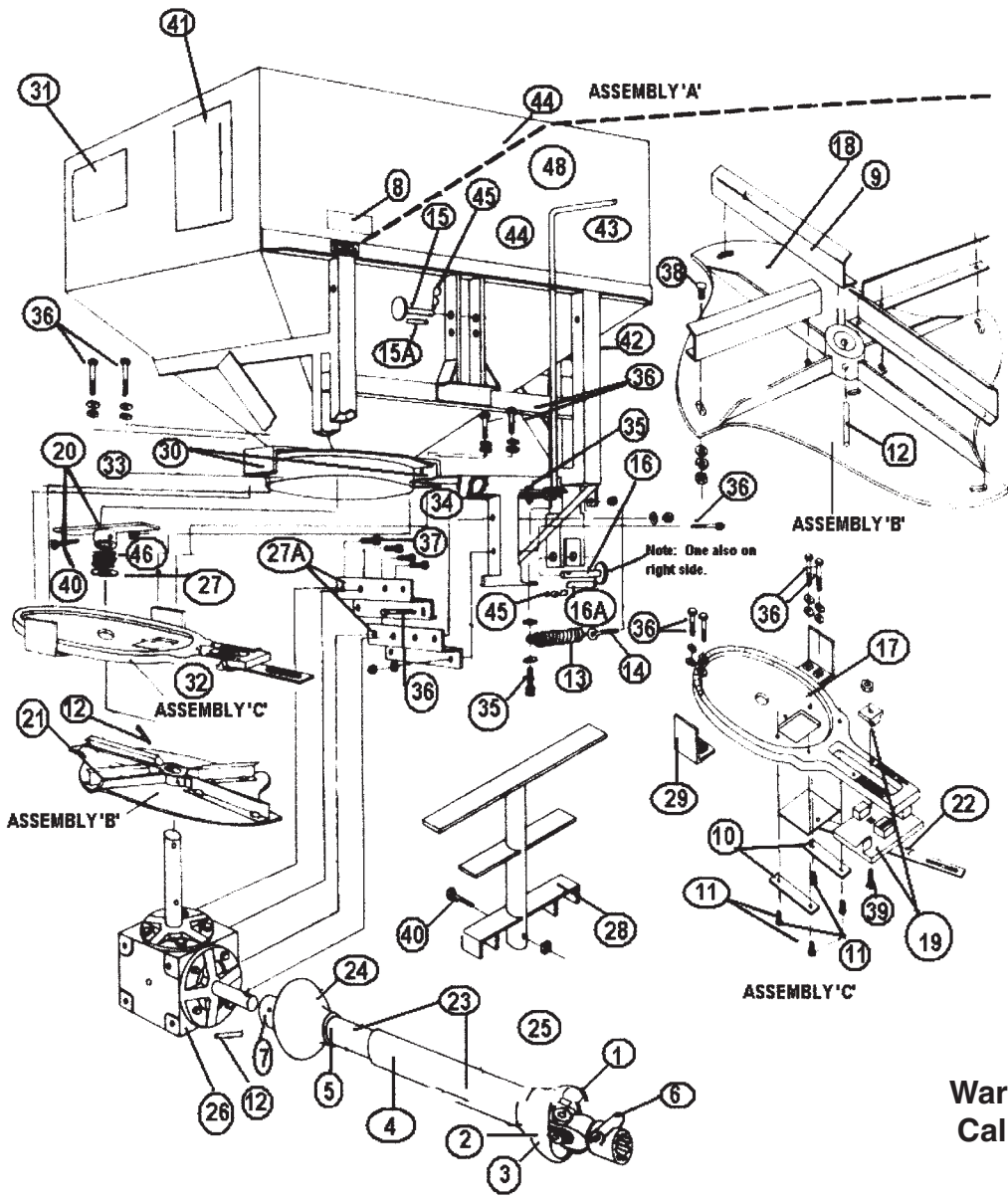
HERD SEEDER COMPANY, INC.

P.O. Box 448 • 2383 South U.S. 35 • Logansport, IN 46947

Phone: 574-753-6311 • Fax: 574-722-4106

Email: info@herdseeder.com

www.herdseeder.com



SERIAL NUMBER LOCATED ON WELDED PLATE, JUST BELOW MODEL NO. DECAL

Herd
MODEL 1200C



48

Warning Decal - If missing Call 574/753-6311 for free replacement.

PARTS FOR MODEL 1200C BROADCASTER SHOWN IN DRAWING:

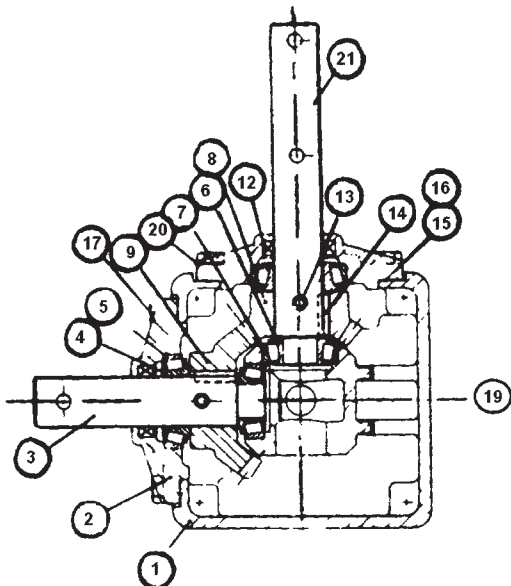
When ordering parts give the model number, which is 1200C, and the serial number. See drawing above for location of serial number.

CAUTION: KEEP all guards and shields in place at all times. Disengage power take-off and shut off tractor engine before making any adjustments or repairs to seeder. KEEP hands, fingers and loose clothing well away from any and all moving parts at all times.

DRAWING #	PART #	NAME AND DESCRIPTION	# NEEDED
1.	78	Repair Kit "W" for P.T.O. Shaft (Pin & Block type) for Weasler P.T.O.	2
	843	Cross & Bearing Repair Kit (G & G P.T.O. Shaft)	2
2.	79P	Nylon Bearing for Plastic Shield of Weasler P.T.O. Shaft	2
	46	Nylon Bearing for Plastic Shield of G & G P.T.O. Shaft, Brg. Retainer & Thrust Washer	2
	80P	Bearing Retainer for Plastic Shield of Weasler P.T.O. Shaft	2
4.	92P	Plastic Shield for Tractor half of Weasler P.T.O. Shaft (Includes #79P & 80P)	1
	95	Plastic Shield for Tractor half of G & G P.T.O. Shaft (Includes #46 & 47)	1
5.	93P	Plastic Shield for Seeder half of Weasler P.T.O. Shaft (Includes #79P & 80P)	1
	94	Plastic Shield for Seeder half of G & G P.T.O. Shaft (Includes #46 & 47)	1
6.	96	Yoke Only, for Tractor half of Weasler P.T.O. Shaft	1
	101	Yoke Only, for Tractor half of G & G P.T.O. Shaft	1
7.	97	Yoke Only, for Broadcaster half of Weasler P.T.O. Shaft	1
	103	Yoke Only, for Broadcaster half of G & G P.T.O. Shaft	1
8.	98	Model Number Decal for 1200C	1
9.	102	Fan Blade, includes (2) Part #420 bolts	4
10.	106	Seed Gate or Control Plate Guide (Requires 2)	2
11.	107	1/4" x 1/2" Hex Head Capscrew, Seed Gate Guide Screws	4

12.	211	5/16" x 2 Spring Pin for Power Take-Off Shaft (#150P) & Fan (#145).....	2
13.	116	Tension Spring.....	1
14.	117	Eyebolt, used with Tension Spring (Part #116)	1
15.	120	3/4" Mounting Pin (Includes Part #118 Bushing).....	1
15A.	118	3/4" x 2" Bushing for Part #120 Pin (To Bush Pin to Category - 2 Size).....	1
16.	121	7/8" Mounting Pin (Includes Part #119 Bushing).....	2
16A.	119	7/8" x 2" Bushing for Part #121 Pin (To Bush Pin to Category - 2 Size).....	2
17.	144	Hopper Base Plate, with 1" Bored Hole	1
18.	145	Fan Base Only (Without Blades) 1" Bored Hole (Includes #111 Spring Pin)	1
19.	146	Seed Gauge complete with Bolt.....	1
	146B	Bottom Part Only of Part #146 Seed Gauge.....	1
	146U	Upper Part Only of Part #146 Seed Gauge	1
20.	147	Regular Agitator complete with Bolt & Nut.....	1
21.	148	Fan Complete with Part #111 Spring Pin & Part #102 Blades.....	1
22.	149	Seed-Gate or Opening Control Plate with Connecting Linkage.....	1
23.	150P	Complete 25-5/8" plastic shielded Power Take-Off Shaft for 1-3/8" and 540 R.P.M. Tractors (Includes Part #111 Spring Pin)	1
24.	150FP	Broadcaster Half Only of 150P Power Take-Off Shaft.....	1
25.	150MP	Tractor Half Only of 150P Power Take-Off Shaft	1
26.	2000	Gear Box Complete - for 540 R.P.M. Power Take-Off Shaft	1
	2000M	Gear Box Complete - for 1,000 R.P.M. Power Take-Off Shaft (Optional)	1
27.	152	1" Bore Steel Space Washer - Used in Hopper on Fan Shaft.....	1
27A.	154	"Z" Angle for Carrying Gear Box, Upper and Lower - Left Side	2
	153	"Z" Angle for Carrying Gear Box, Upper and Lower - Right Side (Not Shown)	2
28.	158	Lime Agitator w/Bolt - Used in Spreading Dolomite or Dehydrated Lime (Optional)	1
29.	159	Lower "L" Base-Clamp for clamping Part #144 Base Plate to Hopper	2
30.	160	Upper "L" Base-Clamp (welded to Hopper) to hold Part #144 Base Plate to Hopper.....	2
31.	163	Fertilizer Instruction Decal.....	1
32.	222	"Assembly C" Complete, Includes Part #144, 146, 149, 2-106 & 4-107	1
33.	223	Hopper Base Ring (Welded to base of Hopper)	1
34.	207	24" Deflector	1
35.	407	5/16" x 1" Hex Head Bolt w/Nut & Lock Washer.....	2
36.	418	1/2" x 3" Hex Head Bolt w/Nut & Flat Washer	8
37.	419	3/8" x 1" Hex Head Bolt (Grade #5).....	8
38.	420	5/16" x 3/4" Carriage Bolt w/Nut & Lock Washer.....	8
39.	421	5/16" x 1-1/4" Carriage Bolt w/Nut - used in Part #146 Seed Gauge.....	1
40.	422	5/16" x 1-3/4" Hex Head Bolt w/Nut - for Part #147 Regular & Part #158 Lime Agitator.....	1
41.	989C	Seeding Chart Decal	1
42.	1085	Frame for 1200C (Must be welded to Hopper).....	1
43.	1086	Handle Assembly, Less Spring Part #116 (Non-Returnable)	1
44.	156	Hopper for 1200C (Must be welded to Frame).....	1
45.	1004	3" Hairpin Cotter	3
46.	1123	Stainless Steel Compression Spring - used between Agitator & Washer....	1
47.	1126	1/4" x 3/8" Hex Head Bolt (Used on Part #144 Plate as Stop for Seed Gate)	1
48.	1091	"WARNING" - "SPINNING BLADES" Decal.....	1

**PARTS FOR 2000 (or 151) GEARBOX WITH 1" SHAFTS:
(Used on 1200Cs and 1200Bs After Serial No. 959)**



1.	2017	Housing.....	1
2.	2016	Cap w/ Part #2009 Oil Seal	2
3.	2018	Short Shaft, Drive.....	1
4.	2013	Bearing Cone - Large (L44643)	2
5.	2012	Bearing Cup - Large (L44610)	2
6.	2011	Bearing Cone - Small (LM11749)	2
7.	2010	Bearing Cup - Small (LM11710)	2
8.	2014	Gear, Steel, 14-Tooth	1
9.	2019	Gear, Steel, 19-Tooth	1
12.	2009	Oil Seal.....	2
13.	2005	Roll Pin.....	2
14.	2008	Key	2
15.	2006	Gasket - .014.....	Var.
16.	2007	Gasket - .005.....	Var.
17.	2002	5/16" x 1" Hexhead Capscrew.....	8
18.	2004	Plain Pipe Plug.....	2
19.	2003	Vented Pipe Plug.....	1
20.	2001	5/16" Lockwasher	8
21.	2015	Long Shaft - Vertical Driven	1
	2020	Shim	Var.

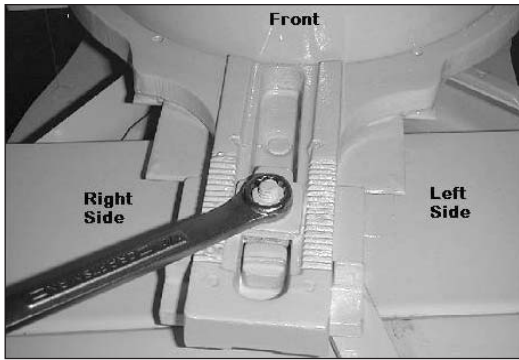


Figure 1

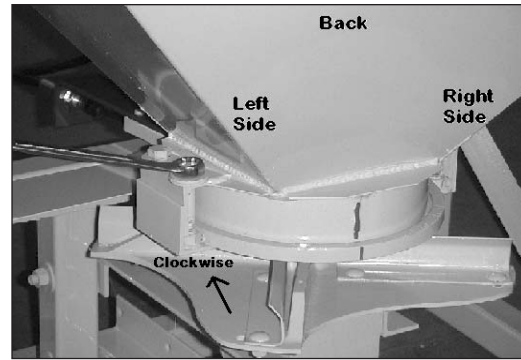


Figure 2

CENTERING THE SPREAD PATTERN OF SEEDER

1. You determine the right or left of the seeder by standing at the rear of the tractor and facing the direction of the tractor's travel.
2. The Model 1200C has a circular plate (Part #144) bolted to the base of the hopper that is adjustable, for centering the spread pattern. This plate is numbered from 1 to 9 and the numbers are found on the back side, on the opposite side from the seed opening gauge. (Part #146) (See figure #2) To move the adjustable plate, loosen the four Hex Head Cap Screws (Part #418). Always be sure to retighten the bolts after adjustments are made to the plate. The normal setting for fertilizer is on number 3-1/2 (See figure #2), and may be moved to a higher or lower number, depending upon the weight and quality of the fertilizer being spread. **“CAUTION!” DO NOT MAKE ANY ADJUSTMENTS WHILE SEEDER OR TRACTOR ARE RUNNING.**
3. When the spread pattern is heavy on the right side, move the base plate (Part #144) to the right, or clockwise, to a higher number. Do not move over one number before checking or you may over compensate.
4. When the spread pattern is heavy on the left side, move the base plate (Part #144) to the left, or counterclockwise, to a lower number. Do not move over one number before checking or you may over compensate.
5. Make sure that the Hex Head Bolts (Part #418) are tightened evenly after making adjustments.

SEED-GATE OPENING CONTROL

1. The width of the Seed-Gate opening is controlled by the Seed Gauge (Part #146) which is bolted to the circular plate (Part #144) and the Seed Gauge is marked in 1/8" markings for your convenience. (See figure #1) If the Seed Gauge is moved back 1/2" from 0, the Seed-Gate opening will likewise open 1/2". A good way to check the Seed-Gate opening for accuracy is to insert a drill bit of the desired fraction of an inch between the Seed-Gate and the edge of the Base Plate (Part #144) down inside the hopper. For example, a 1/8" drill bit placed between the Seed-Gate and the Base Plate edge should correspond to the first mark setting on the Seed Gauge.
2. The handle assembly (Part #1086) is spring-loaded, with an over-center design and when pushed it will close the Seed-Gate and when pulled it will open the Seed-Gate. The double nutted bolt that attaches the handle assembly to the Seed-Gate linkage should not be tightened because it must move freely in the Seed-Gate linkage slot to work properly.
3. When broadcasting small seeds at small amounts per acre you can order the optional special Seed-Gate to get to finer amounts. The part number for this Seed-Gate is 149S and it has teeth built on the edge to restrict the seed flow and control the flow to much smaller amounts. Call the factory for more information at 574-753-6311.

MODEL 1200C BROADCASTER

PREPARING FOR USE AND SERVICING:

1. The gearbox is shipped from the factory with one pint of 90 weight gear lubricant and before using the Broadcaster you must check for the proper level. You can do this by removing the Fill Plug (Part #2003), located at number 19 on the gearbox parts break-down. The oil level is sufficient if the oil is at or just below the plug hole. If the level is low, fill the gearbox with 90 weight gear lubricant to plug hole level.
2. Cut the two wires holding the power take-off shaft to the Broadcaster for shipping. Now remove the tape from the gearbox shaft that is used to protect it from paint and clean any paint from the shaft. Place the 1" hole end of the Power Take-Off Shaft over the gearbox shaft and insert the 5/16" Spring Pin (Part #111) provided with the Power Take-Off Shaft. As an extra precaution, you could run a wire through the Spring Pin and around the hub of the Power Take-Off Shaft to help keep the Spring Pin in place.
3. **“CAUTION!”** Check to see that the P.T.O. Shaft (Part #150P) is not too long before raising the seeder with the 3-PT. Hitch. If it is too long it will bottom out and cause damage to the gearbox. If the Power Take-Off Shaft is too long you will need to cut equal amounts off of both ends of the Power Take-Off Shaft before raising the seeder on the 3-PT. Hitch and attaching the upper center link arm to the seeder.

PARTS AND KITS AVAILABLE BUT NOT SHOWN (FOR MODEL 1200C)

PART #

1125	Kit to convert 1200C from Category 2 to Category 1	1
86A	5/16" x 1" Hex Head Bolt w/2 Nuts & Flat Washer (Used on Part #1086 Handle).....	1
81P	21 Spline Power Take-Off Shaft, complete, for 1000 R.P.M. - PTO Tractors.....	1
81FP	Broadcaster Half Only for 81P - 1000 R.P.M. - PTO Shaft.....	1
81MP	Tractor Half Only for 81P, 1,000 R.P.M. - PTO Shaft.....	1
82	Side-Pattern Kit, to control spread pattern to right or left side.....	1
161	Hopper Extension, adds 800 lbs. or 12.5 bushels to capacity of 1200C	1
239	Lid (2-Piece) for Part #161 Hopper extension.....	1
180	Band Spreading Kit, for Vineyards & Orchards (Uses Part #1086 Manual Handle)	1
206	Large "HERD SEEDER" Decal.....	1
225	Band Spreading Kit, for Vineyards & Orchards (Hydraulic Controlled)	1
	Requires purchase of either Part #232 or #1000 Kit (Cylinder & Hoses not included)	
225M	Band Spreading Kit, for Vineyards & Orchards (Uses 2 levers to control Seed Gates)	1
232	Kit for Mounting 225 Hydraulic Kit, when #1000 Kit is not desired.....	1
266	Kit of parts to mount 1200C Seeder to either Part #268 Regular or #269 Orchard Trailers.....	1
268	Regular Trailer w/45" PTO Shaft, two 15" Wheels (No tires) requires Part #266 Kit.....	1
269	Orchard Trailer w/45" PTO Shaft, with two Low-Profile Wheels & Tires, Requires Part #266	1
272	Decal Set, includes all decals used on 1200C Seeder.....	1
525	Dual-Hydraulic Control Kit for use with 225 Hydraulic Banding Kit (Less hoses).....	1
838	Side-Pattern Control Kit, used with #1000 Kit.....	1
1000	Hydraulic Control Kit (Cylinder & Hoses not included)	1
1087	Complete Lid for Standard 1200C Hopper (2 Pieces)	1
1099	Lid Adapter Kit for 1087 Lid - Required when 1090 Mini-Hopper is installed.....	1
1090	Mini-Hopper (1-1/2 Bushel) for Clover & Alfalfa Seeds (Has separate controls)	1
841	Nose Cone - Must be used with 1090 Mini-Hopper when installed in 1200C Seeder.....	1
1088	Left Side of Lid w/Handle.....	1
1089	Right Side of Lid.....	1

SPECIAL OPTIONS FOR ORCHARD AND VINEYARD SPREADING

1. Banding Kits may be ordered for "NO-CENTER" spreading. They may be set to spread on either side or both sides at the same time. The Banding Kit pattern can be adjusted to apply fertilizer from as wide as 34 feet down to as narrow as 60 inches. Instructions supplied with kits.
 - A. Part #180 Manual Banding Kit uses the existing control handle assembly (Part #1086) to open the Seed Gates to flow the fertilizer onto the fan, while banding the fertilizer to each side.
 - B. Part #225 Hydraulic Controlled Banding Kit is available and uses two push-pull cables controlled by a hydraulic cylinder (Not Provided) to open the separate Seed Gates to flow fertilizer onto the fan. Requires either a 1000 Kit or a 232 Kit to complete installation.
 - C. Part #225 Manual uses two separate levers to push-pull two separate cables which opens or closes two separate Seed Gates to flow fertilizer onto the fan. Does not require any additional kits.
 - D. Part #276 Left Side Only Banding Kit is a less expensive kit that will band fertilizer to the left side only. This kit uses the existing Part #144 Base Plate and Part #1086 Control Handle.

Side Pattern Kits are also available:

- A. Part #82 Kit is available to turn the pattern to one side (either right or left) with All Over pattern on one side.
- B. Part #838 Side-Pattern Kit can be ordered if the Seeder has a Part #1000 Kit installed.

FOR SPREADING DOLOMITE OR DEHYDRATED LIME: Not Wet Ag Lime!

1. Part #158 Lime Agitator must be installed.
2. Width of spread will be about 14 feet.
3. Under normal conditions, 1200 lbs. of Dolomite or Dehydrated Lime will go through a 1" Seed-Gate opening in 6 minutes.
4. Fill the Hopper in the field only: Do not drive any extra or unnecessary distance or the Lime will pack in the Hopper and not allow it to feed the fan.
5. Do not leave any Lime in the Hopper over night or an extended period of time or it will pack and not flow out of the Hopper to the fan.
6. Run the Tractor P.T.O. at 540 R.P.M. The Tractor may be run slower only to keep the dust down. However, do not run the P.T.O. under 300 R.P.M. at any time or the Lime will plug and not flow through the opening.
7. Engage the Tractor P.T.O. slowly with the Lime Agitator installed or you will shear the bolt (Part #422) that connects the Lime Agitator to the Gearbox.
8. Do not use the Part #158 Lime Agitator for spreading fertilizer or seeds. When spreading fertilizer or seed be sure to replace the Part #158 Lime Agitator with the standard Part #147 Agitator.

SEEDING CHART

SEED	OPEN WIDTH	WIDTH OF SPREAD	POUNDS PER ACRE - SPEED IN M.P.H.					
			5 M.P.H.	6 M.P.H.	7 M.P.H.	8 M.P.H.	9 M.P.H.	10 M.P.H.
ALFALFA	1/8"	28 FT.	12 LBS.	10.8 LBS.	9.6 LBS.	8.4 LBS.	7.2 LBS.	6 LBS.
BLUE GRASS	1/4"	18 FT.	16	14.4	12.8	11.2	9.6	8
BROME GRASS	1/4"	10 FT.	7	6.3	5.6	4.9	4.2	3.5
CLOVER	1/8"	28 FT.	12	10.8	9.6	8.4	7.2	6
HAIRY VETCH	1/4"	40 FT.	33	29.7	26.4	23.1	19.8	16.5
HULLED LESPEDEZA	1/8"	30 FT.	13	11.7	10.4	9.1	7.8	6.5
MEADOW FESCUE	1/4"	18 FT.	19	17.1	15.2	13.3	11.4	9.5
OATS	1/2"	33 FT.	86	77.4	68.8	60.2	51.6	43
ORCHARD GRASS	1/4"	12 FT.	12	10.8	9.6	8.4	7.2	6
PIPER SUNDAN - SWEET	1/4"	36 FT.	32	28.8	25.6	22.4	19.2	16
RICE	1/2"	33 FT.	180	162	144	126	108	90
RYE GRASS	1/4"	18 FT.	13.5	12.2	10.8	9.4	8.1	6.8
RYE	1/2"	34 FT.	132	118.8	105.6	92.4	79.2	66
SOYBEANS	3/4"	40 FT.	120	108	96	84	72	60

(1 LB. - 0.45 KG
8 LBS. - 3.6 KG
14 LBS. - 6.3 KG

1 MILE - 1.6 KM
4 MILE - 6.4 KM
6 MILE - 9.6 KM

1 FOOT - 30 CM
12 FEET - 3.6 M
18 FEET - 5.4 M

MAINTENANCE:

1. Before storing the Model 1200C, it should be washed out thoroughly with water, make sure that all fertilizer residue is removed. For cleaning at the base of the Hopper and to clean the Base Plate (Part #144), loosen the 4 Hex Head Capscrews (Part #418) that holds the Base (Part #144) to the bottom of the Hopper, so there is sufficient space to wash out all corrosive material. When the parts are dry, oil them thoroughly, retighten the Cap Screws (Part #418) when finished.
2. We also recommend that you separate the Tractor end of the P.T.O. Shaft (Part #150MP) from the Seeder end of the P.T.O. Shaft (Part #150FP) and grease them thoroughly for storage. Leave the two sections of the P.T.O. Shaft separate during storage to prevent them from seizing.

TROUBLE-SHOOTING TIPS:

1. If the spread pattern is not as wide for your Seeder as what is shown on the Seed or Fertilizer Chart for a given seed, check to make sure one of the Spring Pins (Part #111) is not sheared.
2. Other causes of poor spread pattern:
 - A. Bent or broken Fan (Part #145) or Fan Blades (Part #102)
 - B. Fan Blades (Part #102) moved from factory setting. (Blades should be in line with long marks on fan.)
 - C. The distance between the Fan (Part #148) and the Base (Part #144) should never be farther than 2-5/16" or closer than 2-5/32", or it will affect the spread pattern.
 - D. Do not run the Tractor P.T.O. speed over 560 R.P.M. because too much speed can cause the spread pattern to be uneven.
 - E. Do not run the Tractor P.T.O. speed below 530 R.P.M. or it will result in a narrow spread pattern.
3. The Model 1200C Broadcaster should run level or tilted slightly forward toward the Tractor. Also make sure that one side of the Seeder is not lower than the other.
4. If the spread pattern is too heavy to the right side, move the Base Plate (Part #144) to a higher number and if the spread pattern is too heavy to the left side, move the Base Plate (Part #144) to a lower number.
5. When the material being spread does not feed evenly:
 - A. Check the material to see if any foreign matter is in the Hopper and blocking the opening or Seed-Gate (Part #149).
 - B. Check to see that the Agitator (Part #147) is bent down close to the Base Plate (Part #144), but do not bend it so much that the Agitator strikes the Base Plate when rotating.
 - C. Check to see that the opening is not set too close for the size of the material being spread. To overcome this, set the opening larger and drive faster or order Part #149S, which is a special Seed-Gate with teeth on its edge to restrict the flow of seed and allow the Seed-Gate to be opened wider.
 - D. Do not run the fan for any length of time with the Opening Gate (Part #149) closed, or the Agitator will grind up the material and pack over the Opening Gate... causing poor feeding of the material. You can over-agitate the material if you are not careful.
 - E. If you need to convert the 1200C from a 540 R.P.M. Gearbox to a 1000 R.P.M. Gearbox to go on a 1000 R.P.M. Tractor P.T.O. please call the factory for more information at: 574-753-6311.