



PARTS & INSTALLATION INSTRUCTIONS

DRIVE PRO™

SNOW PLOW MOUNTING CARTON 18502

2005 & LATER TOYOTA TACOMA 4x4 MODELS

Residential Use Only

End user must be given this instruction sheet prior to delivery of Snow Plow.

SAFETY DEFINITIONS

	This is the safety alert symbol. It is used to alert you to potential personal injury hazards. Obey all safety messages that follow this symbol to avoid possible injury or death.
	DANGER Indicates an imminently hazardous situation which, if not avoided, will result in death or serious injury.
	WARNING Indicates a potentially hazardous situation which, if not avoided, could result in death or serious injury.
	CAUTION Indicates an potentially hazardous situation which, if not avoided, may result in minor or moderate injury.
	CAUTION used without the safety alert symbol indicates a potentially hazardous situation which, if not avoided, will result in property damage.

IMPORTANT NOTICE

In conjunction with FMVSS (Federal Motor Vehicle Safety Standards) and OEM (Original Equipment Manufacturer) guidelines, Meyer Products has designed this plow package with the following guidelines:

	Installation of a snowplow may effect your new vehicle warranty. For more information consult your Vehicle Owner's Manual / Vehicle Dealer.
	The vehicle must not be operated when overloaded. In all cases, the loaded vehicle weight, including the entire snowplow system, all aftermarket accessories, driver, passenger, options, nominal fluid levels, and cargo must not exceed the front/rear Gross Axle Weight Rating (GAWR), and total Gross Vehicle Weight Rating (GVWR). These weights ratings are specified on the safety compliance certification label on the driver's side door opening. The use of rear ballast weight may be required to prevent exceeding the front GAWR.

According to the NHTSA (National Highway Traffic Safety Administration) new and untitled vehicles need to be verified by the installer that snowplow and ballast (if needed) do no exceed the front/rear GAWR and total GVWR.

	Read the Meyer Owner's Manual before operating or servicing a snowplow. FOLLOW THESE INSTRUCTIONS EXPLICITLY.
--	--

GENERAL INFORMATION

	SAFETY PRECAUTIONS should be used when Hydraulic Unit is in OPERATION and plow is in a RAISED position. Lower plow to ground when vehicle is PARKED in case of hydraulic failure.
--	---

Check contents against the parts list to determine all are correct and included, and also to familiarize yourself with them.

	Warranty does not apply to a Meyer or Diamond product which has been negligently or improperly assembled or installed.
--	--

	CAUTION: To avoid harm to vehicles electrical system always disconnect battery before beginning installation. DO NOT BURN holes or WELD vehicle frame. This may cause frame failure.
--	---

OVERHAUL and SERVICE INFORMATION are covered on separate instructions.

Meyer Products and Diamond Equipment reserves the right, under its continuing product improvement program, to change construction or design details, specifications and prices without notice or without incurring any obligation.

Meyer Products LLC
18513 Euclid Ave. • Cleveland, Ohio 44112-1084
Phone 486-1313 (Area Code 216)
www.meyerproducts.com • email info@meyerproducts.com



Meyer Products LLC
6 Angell Lane • Damariscotta, ME 04543-4507
Phone 563-2227 (Area Code 207)
www.meyerproducts.com • email info@meyerproducts.com

PARTS LIST

ITEM	PART NO.	QTY.	DESCRIPTION
	18502	1	MOUNTING CARTON
1	19907	1	• LH Side Member Weld
2	19908	1	• RH Side Member Weld
	08149	1	• HARDWARE BAG
3	20097	4	•• Bolt 1/2-13 x 2" Gr. 5
4	20105	4	•• Bolt 1/2-13 x 4" Gr. 5
5	20141	2	•• Bolt 5/8-11 x 2" Gr. 5
6	20307	8	•• Locknut Esna 1/2-13
7	20309	2	•• Locknut Esna 5/8-11
8	20355	4	•• Flatwasher 1/2"
9	22233	2	•• 3/8 U-Bolt
10	20305	4	••• Locknut Esna 3/8-16
11	20353	4	••• Flatwasher 3/8"
*	19836	1	Universal Clevis (Part of Drive Pro CLF Carton)
	P.A.F.		MEYER
PART NO.	QTY.	DESCRIPTION	
16600	1	Pivot A-Frame Carton	

Parts indented are included in the carton, bag or assembly under which they are indented.

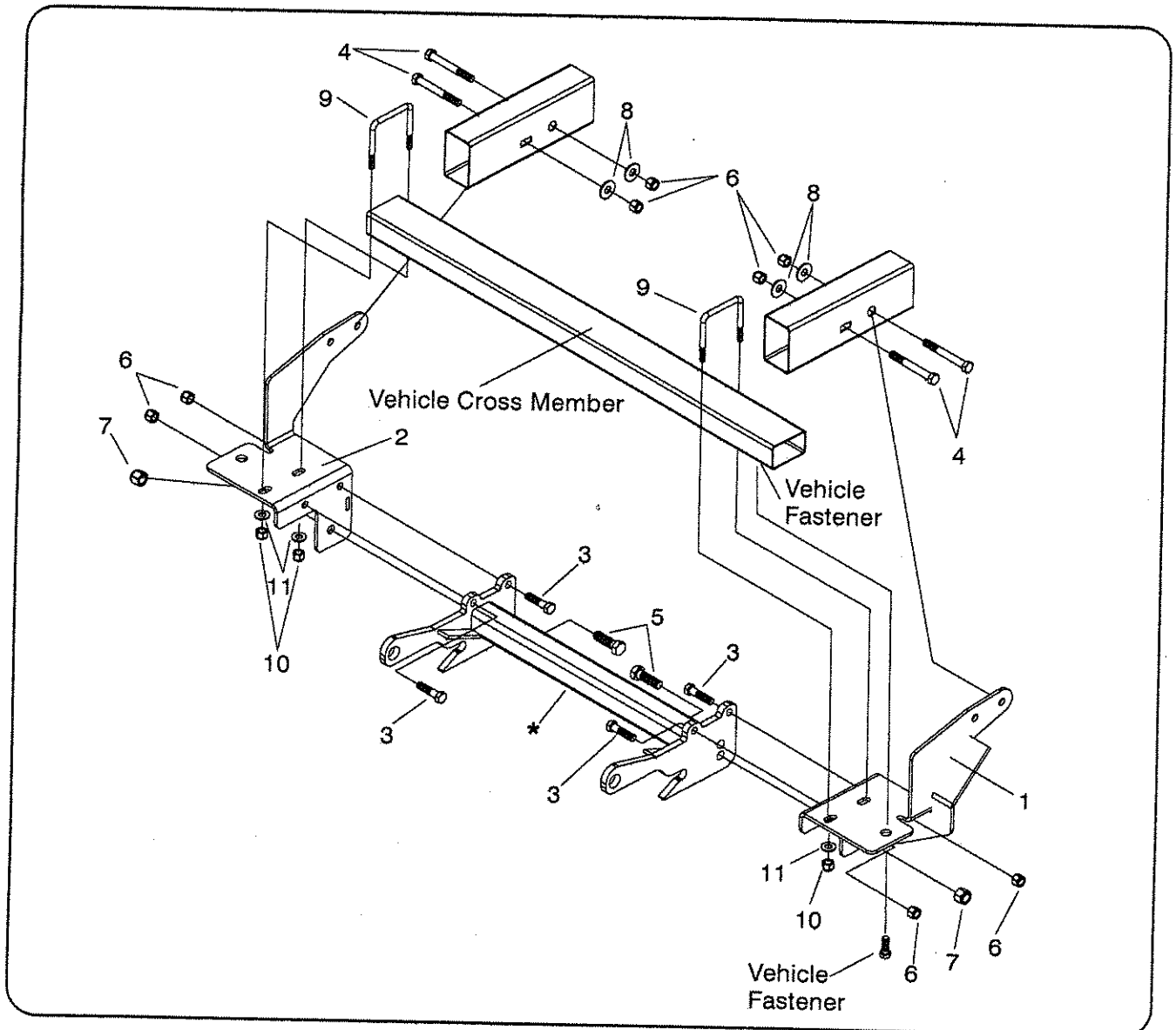
IMPORTANT

After first use, retighten all mounting bolt connections to specified torque. All mounting bolt connections to be checked periodically for tightness.

Locknuts are furnished **DO NOT** tighten bolts and nuts until installation is complete (unless otherwise specified), then be sure to tighten all attaching parts per specified torque chart.

TORQUE CHART FOOT

Bolt Nut Size	Gr. 2	Gr. 5	Gr. 8
1/4 - 20	4 - 5		
5/16 - 18	9 - 11		
3/8 - 16	17 - 20	26 - 29	
7/16 - 14		42 - 46	80 - 66
1/2 - 13		64 - 72	90 - 100
5/8 - 11		127 - 141	179 - 198



VEHICLE RECOMMENDATIONS

⚠ WARNING

- Due to weight restrictions on these vehicle's front GAWR limit to driver and one passenger only while plow is installed unless specified below. The front GAWR must also be at least 2755 lbs as shown on the driver's side door sticker.

⚠ WARNING

- Ballast weight is required on all Toyota Tacoma models. **625 lbs.** of ballast must be securely attached 32 inches behind the rear axle:

Salt or sand in bags are recommended as ballast.

- Front end wheel alignment and headlight aim may require readjustment after installation of equipment, and is the responsibility of the equipment installer. Failure to adjust front wheel alignment may cause premature uneven tire wear. If required, reset to chassis manufacture's specifications found in the Toyota Shop Manual.

Rear ballast is determined by weighing a vehicle's front and rear axles and adding weight behind the rear axle until front axle weight is under or equal to the vehicle specific front GAWR while not exceeding the rear GAWR and GVWR.

Vehicle option packages may vary. If in doubt, it is always a good idea to weigh the vehicle to ensure all weight ratings are not exceeded with plow in the raised position.

INSTALLATION INSTRUCTIONS

- A. Remove the tow hook bracket on the passenger side of the vehicle.
- B. Remove the fasteners that hold the end caps from both sides of the cross member of the vehicle frame. Retain these fasteners for reuse on the snow plow mount.
- C. If equipped, remove the aluminum skid plate and fasteners, save for reinstallation if the snow plow mount is removed.
- D. Loosely attach LH Side Member and RH Side Member (1 & 2) to Drive Pro Clevis (*) using 1/2-13 x 2" Bolt (3) and 1/2-13 Locknut (6) in top 2 holes. Also attach using 5/8-11 x 2" Bolt (5) and 5/8-11 Locknut (7) in lower hole.
- E. Position Mount assembly to outside of frame and attach on each side using 1/2-13 x 4" Bolts (4), 1/2" Flat Washers (8), and 1/2-13 Locknuts (6).
- F. Position the Square U-Bolts (9) over the frame cross bar and loosely secure to the mount brackets using 3/8" Flatwasher (11) and 3/8-16 Locknut (10).
- G. Fasten up into the bottom of the crossbar frame reusing the two vehicle fasteners from Step B.

Note: Before tightening the fasteners, the clevis should be level with the ground and pushed back as far under the vehicle as possible.
- H. Tighten all fasteners to their proper torque. Tighten bolts in the same order they were assembled to the vehicle.
- I. Install recommended ballast weight. Salt or sand bags are suggested.
- J. Install remaining snowplow hardware per separate instructions.

⚠ WARNING

Be sure that load is secure while transporting. With ballast weight in place, be sure that only the driver is in vehicle while plowing to avoid overloading.

Meyer Products or Diamond Equipment assumes no responsibility for installations not made in accordance with these instructions.