

Fisher Engineering

P.O. Box 529 Rockland, Maine 04841 • www.fisherplows.com

9800
29600
29800

March 5, 2007
Lit. No. 96444, Rev. 03

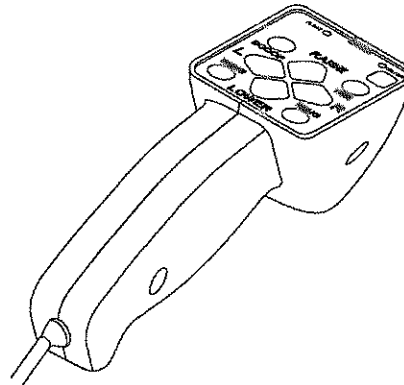


CONTROL KITS

XLS™, XtremeV™ & EZ-V® (9-Button)

Fish-Stik® Hand-Held

Installation Instructions



▲ CAUTION

Read this document before installing the snowplow.

▲ CAUTION

See your FISHER® outlet/Web site for specific vehicle application recommendations before installation. The Kit Selection Guide has specific vehicle and snowplow requirements.

SAFETY DEFINITIONS

▲ WARNING

Indicates a potentially hazardous situation that, if not avoided, could result in death or serious personal injury.

▲ CAUTION

Indicates a potentially hazardous situation that, if not avoided, may result in minor or moderate injury. It may also be used to alert against unsafe practices.

NOTE: Indicates a situation or action that can lead to damage to your snowplow and vehicle or other property. Other useful information can also be described.

FUSES

The FISHER electrical and hydraulic systems contain several blade-style automotive fuses. If a problem should occur and fuse replacement is necessary, the replacement fuse must be of the same type and amperage rating as the original. Installing a fuse with a higher rating can damage the system and could start a fire. Fuse Replacement, including fuse ratings and locations, is located in the Maintenance Section of the Owner's Manual.

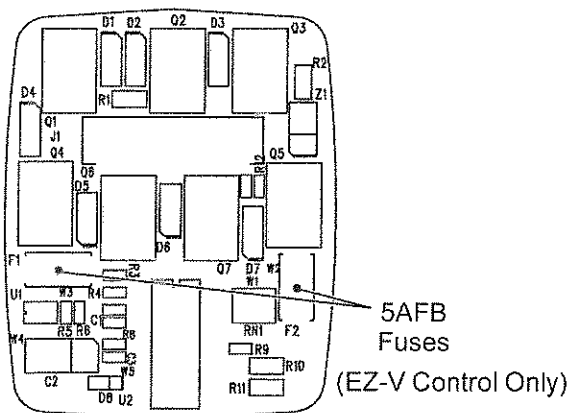
NOTE: The XLS™ and XtremeV™ controls (4-pin square connector) do not contain on-board fuses. Consult your snowplow Owner's Manual for fuse replacement. Fuses are located both underhood and on the hydraulic unit.

**EZ-V® Fish-Stik® Control (9-Button)
On-Board Fuses**

NOTE: Circuit board may be damaged by static electricity. Always touch ground before handling PC board.

This control contains two 5AFB printed circuit board (PCB) mounted fuses. If the control does not function and the underhood 10-amp in-line fuse is not blown, one or both of these 5AFB PCB-mounted fuses may be blown. They can be removed by pulling them out of the PCB holders with small needle-nose pliers. They should be replaced with 5AFB SMD fuses.

When service is necessary, your local FISHER® outlet knows your snowplow best. Contact your snowplow outlet for maintenance, service, or any other assistance you may require.

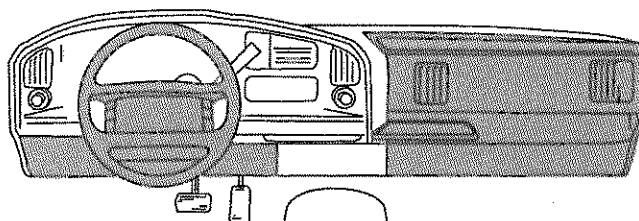


CONTROL PLACEMENT

⚠ CAUTION
Do not alter, modify, or install additional components in shaded areas of the illustration below. Failure to comply may interfere with air bag deployment or cause injury to operator in an accident.

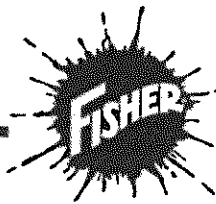
⚠ CAUTION
Before drilling holes, check to be sure that no vehicle wiring or other components could be damaged.

When choosing a location for your control, it should be mounted in easy reach of the vehicle operator and not restricting access to vehicle controls or vehicle instrumentation. Do not mount the control in areas prohibited by the vehicle manufacturer for crash worthiness. See the vehicle's body builders book, owner's manual, or service manual for details. The shaded areas in the illustration below show the most commonly restricted areas.



Fisher Engineering reserves the right under its product improvement policy to change construction or design details and furnish equipment when so altered without reference to illustrations or specifications used. Fisher Engineering or the vehicle manufacturer may require or recommend optional equipment for snow removal. Do not exceed vehicle ratings with a snowplow. Fisher Engineering offers a limited warranty for all snowplows and accessories. See separately printed page for this important information. The following are registered (®) or unregistered (™) trademarks of Douglas Dynamics, L.L.C.: EZ-V®, FISHER®, Fish-Stik®, XLS™, XtremeV™.

Printed in U.S.A.



Fisher Engineering

50 Gordon Drive, Rockland, Maine 04841-2139 • www.fisherplows.com

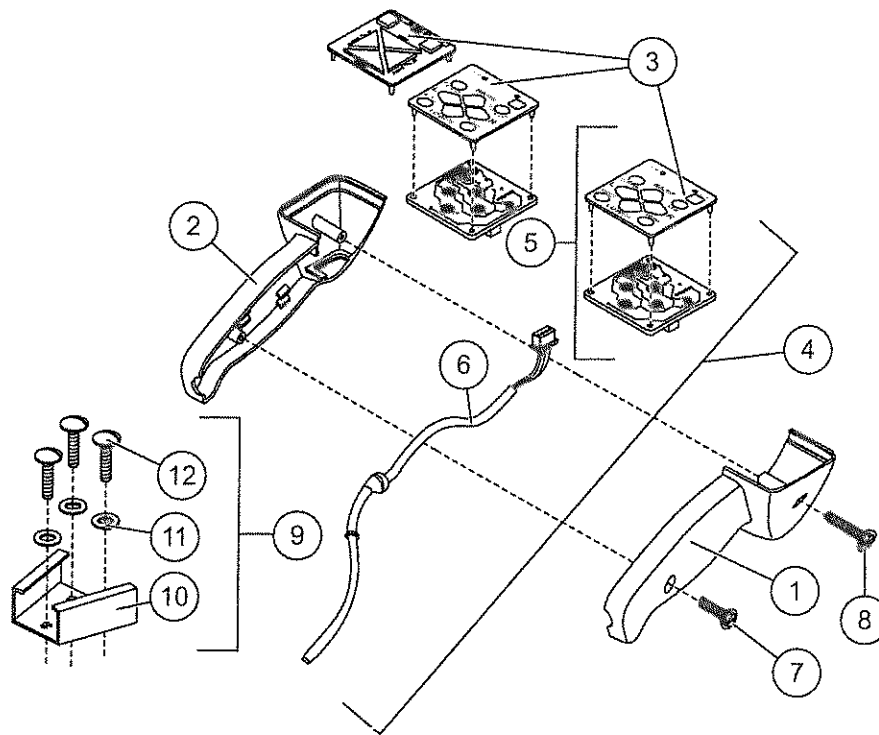
9700, 9800, 9900
29600, 29700
29800, 49900

June 1, 2008
Lit. No. 96446, Rev. 05

CONTROL KITS

XLS™, XtremeV™ & EZ-V® Fish-Stik® Hand-Held and XLS, XtremeV & EZ-V Joystick

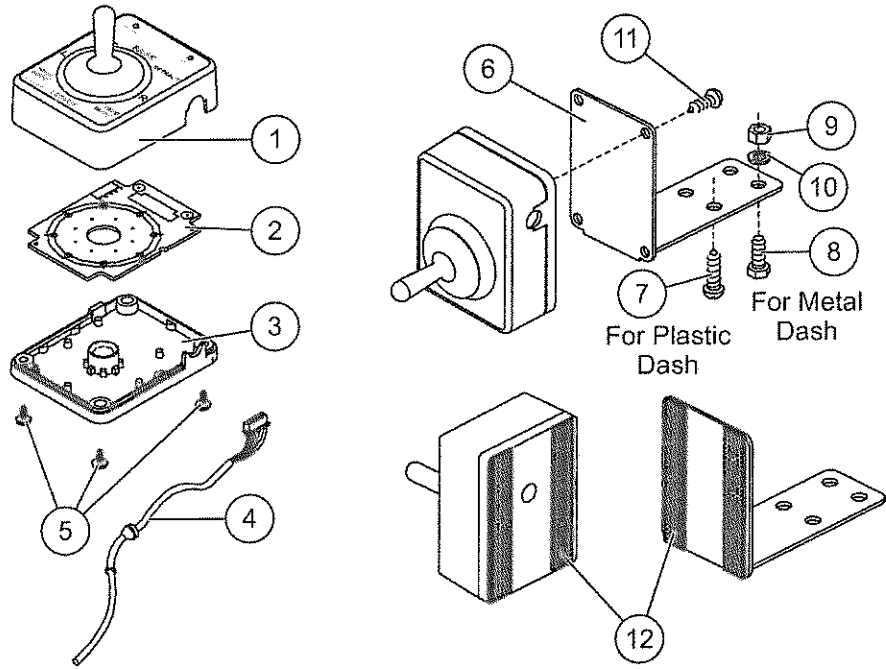
Parts List



29800 (XLS), 29600 (XtremeV),
9800 (EZ-V – 9-Button) and 9700 (EZ-V – 6-Button)

Item	Part	Qty	Description	Item	Part	Qty	Description
1	96456	1	Control Body – Right	6	96464	1	Harness – 9-Button (4-Pin)
2	96457	1	Control Body – Left		96454	1	Harness – 9-Button (10-Pin)
3	96450	1	Keypad – XLS, XtremeV & EZ-V (9-Button)	7	93173	1	8-18 x 3/4 Tapping Screw
	66794	1	Keypad – EZ-V (6-Button)	8	93174	1	8-18 x 1-1/4 Tapping Screw
4	69281	1	PC Board/Harness (9-Button)	9	64312	1	Parts Bag – Control Bracket
5	96438	1	PC Board & Keypad – 9-Button (4-Pin) XtremeV	ns	69190	–	Fuse Kit (Package of 5) – EZ-V Only
	49471	1	PC Board & Keypad – 9-Button (4-Pin) XLS	64312 Parts Bag – Control Bracket			
	96449	1	PC Board & Keypad – 9-Button (10-Pin) EZ-V	10		1	Control Bracket
				11		3	6 Spring Lock Washer
				12		3	6-32 x 1 Tapping Screw

ns = not shown



49900 (XLS™), 29700 (XtremeV™) and 9900 (EZ-V®)							
Item	Part	Qty	Description	Item	Part	Qty	Description
1	96358	1	Cover Assembly w/Actuator Spring & Label	4	96352	1	Harness (4-Pin)
2	96353	1	PC Board (4-Pin)		96365	1	Harness (10-Pin)
	96367	1	PC Board (10-Pin)	5	96364	3	4 x 3/8 Tapping Screw
3	96366	1	Bottom Housing	ns	96363	1	Dash Bracket Parts Bag
				ns	69190	-	Fuse Kit (Package of 5) – EZ-V Only
96363 Dash Bracket Parts Bag							
6		1	Control Bracket	10		2	1/4 Spring Lock Washer
7		4	12-14 x 3/4 Tapping Screw	11		2	8-18 x 5/8 Tapping Screw
8		2	1/4-20 x 3/4 Hex Cap Screw G5	12	20254K	1	Dual Lock Mounting Kit
9		2	1/4-20 Hex Nut G5				
G = Grade				ns = not shown			

Copyright © 2008 Douglas Dynamics, L.L.C. All rights reserved. This material may not be reproduced or copied, in whole or in part, in any printed, mechanical, electronic, film or other distribution and storage media, without the written consent of Fisher Engineering. Authorization to photocopy items for internal or personal use by Fisher Engineering outlets or snowplow owner is granted.

Fisher Engineering reserves the right under its product improvement policy to change construction or design details and furnish equipment when so altered without reference to illustrations or specifications used. Fisher Engineering or the vehicle manufacturer may require or recommend optional equipment for snow removal. Do not exceed vehicle ratings with a snowplow. Fisher Engineering offers a limited warranty for all snowplows and accessories. See separately printed page for this important information. The following are registered (®) trademarks of Douglas Dynamics, L.L.C.: EZ-V®, FISHER®, Fish-Stik®, XLS™, XtremeV™.

Printed in U.S.A.