

Arctic Equipment Manufacturing Corporation
Arctic HDXL-P

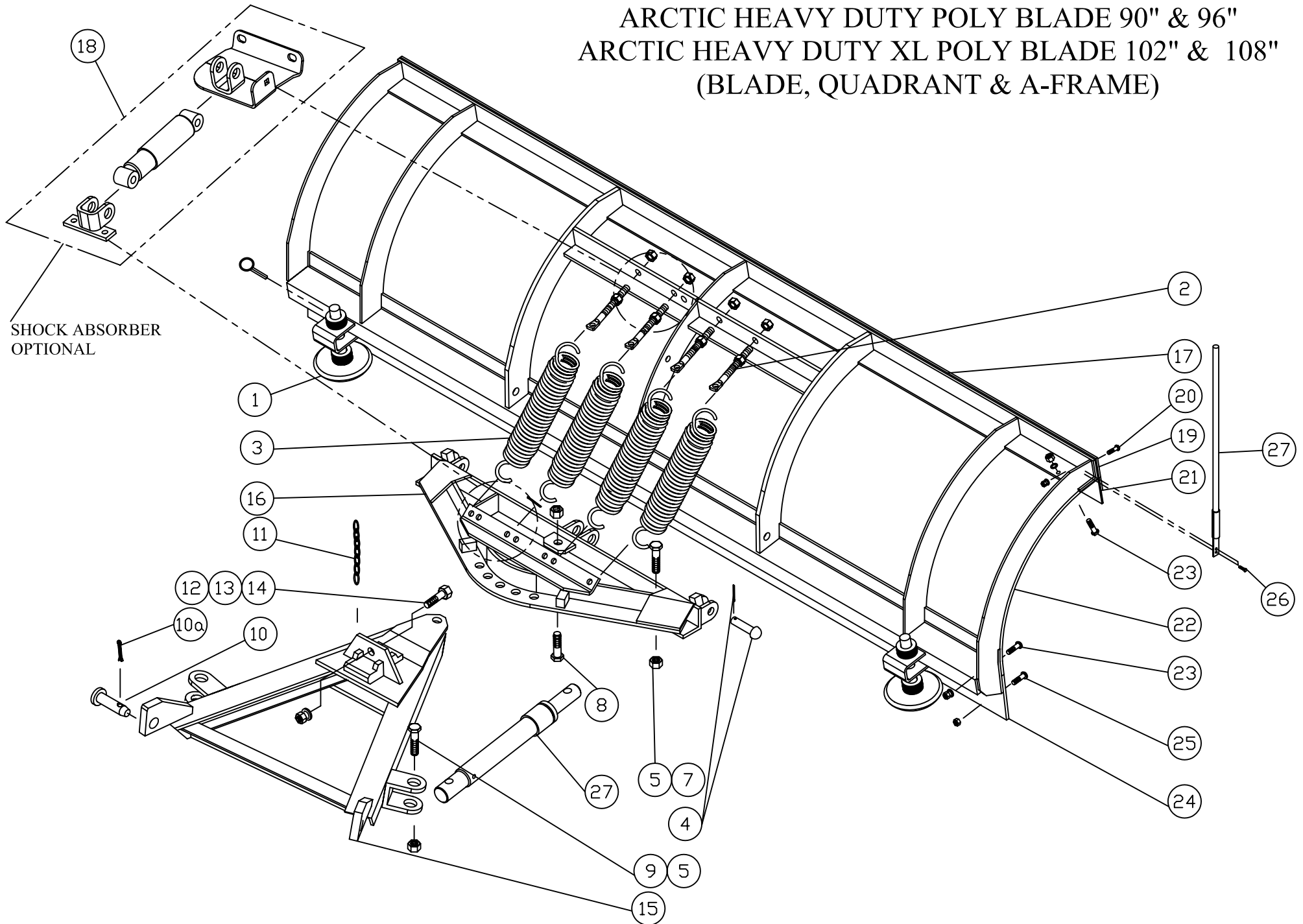
Table of Contents

Arctic Heavy Duty XL Poly Blade 102" & 108 (Blade, Quadrant & A-frame).....2
Shock Absorber Installation7
Power Angling Installation.....10
Quik-Link II HI DLC.....16
Quik-Link III HI DLC.....18

Arctic Heavy Duty Poly Blade 90" & 96"
Arctic Heavy Duty XL Poly Blade 102" & 108"
(Blade, Quadrant & A-frame)

(skin available in orange and gray (platinum)
colour)

ARCTIC HEAVY DUTY POLY BLADE 90" & 96"
ARCTIC HEAVY DUTY XL POLY BLADE 102" & 108"
(BLADE, QUADRANT & A-FRAME)



Arctic HD-P (90", 96") & Arctic HDXL-P (102" & 108") Blade, A-frame & Quadrant			
Item	Part Number	Description	Quantity
1	50037-B	Shoe Assembly	2
1a	50040-A	Lynch Pin	1
1b	55017-N	Shoe Washers	24
1c	50666-B	Shoe	1
2	50191-M	Eye bolt Assembly	4
3	50180-C	Trip Spring	4
4	50232-M	3/4" x 3" Rivet Assembly	3
5	HH-00973-007	3/4" Hex Nut Nylon Insert	4
7	HH-00972-153	3/4" x 3.1/2" UNF Cap screw	2
8	51188-M	3/4" x 2.1/2" Shoulder Bolt Ass'y	1
9	HH-00972-152	3/4" x 3.1/4" UNF Cap screw	2
10	53325-A	Spreader Pin	2
10a	HH-00020-164	Cotter pin	2
11	55018-02-M	Lift Chain - QLI, QLII	1
	55018-M	Lift Chain - Hi Boy	
12	HH-00972-090	1/2" x 1 1/2" UNF Cap screw	1
13	HH-00457-001	1/2" Lock washer	1
14	HH-00460-002	1/2" UNF Hex nut	1
15	50656-D	32" A-Frame	1
16	52272-M	Poly Quadrant	1
17	52264-M	Blade Assembly - 90" (includes skin, cutting edge, deflector, shoes)	1
	52265-M	Blade Assembly - 96" (includes skin, cutting edge, deflector, shoes)	
	52266-M	Blade Assembly - 102" (includes skin, cutting edge, deflector, shoes)	

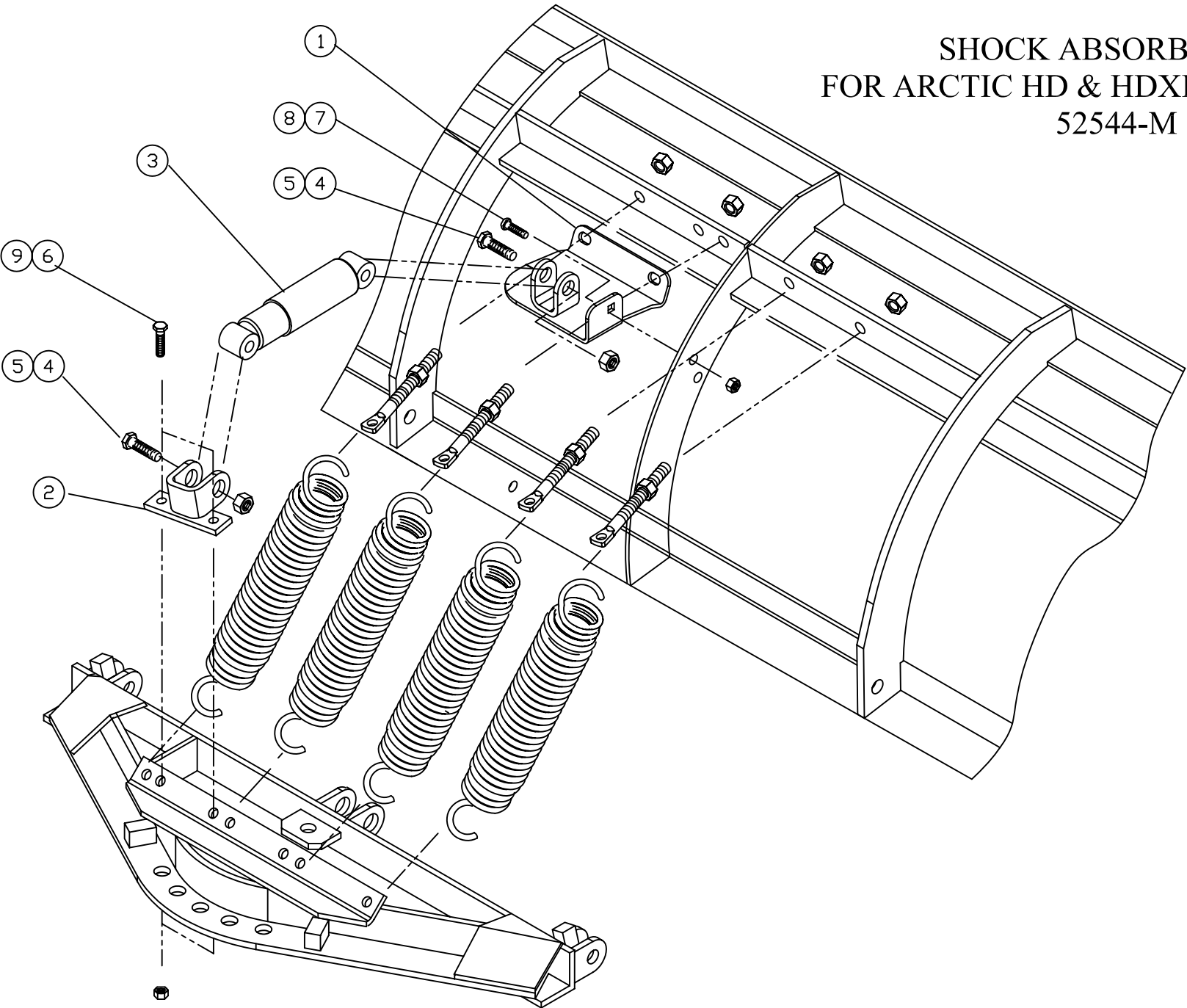
Arctic HD-P (90", 96") & Arctic HDXL-P (102" & 108") Blade, A-frame & Quadrant				
Item	Part Number	Description	Quantity	
	52267-M	Blade Assembly - 108" (includes skin, cutting edge, deflector, shoes)		
18*	52544-M	Optional Shock Absorber Ass'y	1	
19	52239-M	Deflector Strap - 90"	1	
	52240-M	Deflector Strap - 96"		
	52241-M	Deflector Strap - 102"		
	52279-M	Deflector Strap - 108"		
20	52288-M	Deflector Bolt Kit 90"/96"/102"	1	
	52289-M	Deflector Bolt Kit 108"		
21	52245-M	Deflector - 90"	1	
	52246-M	Deflector - 96"		
	52247-M	Deflector - 102"		
	52280-M	Deflector - 108"		
22	52228-02-D	Blade Skin - 90" (orange)	1	
	52228-02-D-PLAT	Blade Skin - 90" (gray)		
	52228-03-D	Blade Skin - 96" (orange)		
	52228-03-D-PLAT	Blade Skin - 96" (gray)		
	52228-04-D	Blade Skin - 102" (orange)		
	52228-04-D-PLAT	Blade Skin - 102" (gray)		
	52277-D	Blade Skin - 108" (orange)		
	52277-D-PLAT	Blade Skin - 108" (gray)		
23	55013-N	Blade Skin Bolt, Lock Washer & Nut (90",96",102")		16
	55013-N	Blade Skin Bolt Washer & Nut (108")		
24	52233-M	Cutting Edge - 90"	1	
	52234-M	Cutting Edge - 96"		
	52235-M	Cutting Edge - 102"		

Arctic HD-P (90", 96") & Arctic HDXL-P (102" & 108") Blade, A-frame & Quadrant			
Item	Part Number	Description	Quantity
	52236-M	Cutting Edge - 108"	
25	52593-M	½" x 1 ¾" Carriage Bolt Assembly(90",96",102")	8
	52593-M	½"x 1 ¾" Carriage Bolt Assembly (108")	10
26	GB001	Guide Bolt Ass'y	4
27	50999-B	Blade Guide	2
28	CS150-10.00-NRS	Cylinder 1 ½" x 10"	

*See shock absorber installation sheet 52544-M for shock absorber parts (BOM).

Shock Absorber Mounting Kit for Arctic HD & HDXL Poly Blade

SHOCK ABSORBER KIT
FOR ARCTIC HD & HDXL POLY BLADE
52544-M



Arctic Equipment Manufacturing Corporation
Shock Absorber Mounting Kit 52544-M

52544-M R04
INST0046

Shock Absorber Mounting Kit 52544-M, Poly Blade			
Item	Part #	Description	Quantity
1	52544-01-B	Upper Poly Shock Bracket	1
2	52285-C	Bottom Shock Bracket	1
3	51984-M	Shock Absorber	1
4	HH-00972-151	3/4-16 x 3" Hex Head Cap Bolt	2
5	HH-00973-007	3/4-16 Nut Nylon	2
6	HH-00972-090	1/2-20x1.1/2 Hex Head Cap Bolt	2
7	HH-00971-135	1/2-13x1.1/4 Carriage Bolt	1
8	HH-00340-003	1/2" NC Nut Nylon	1
9	HH-00540-004	1/2" UNF Nut Nylon	2