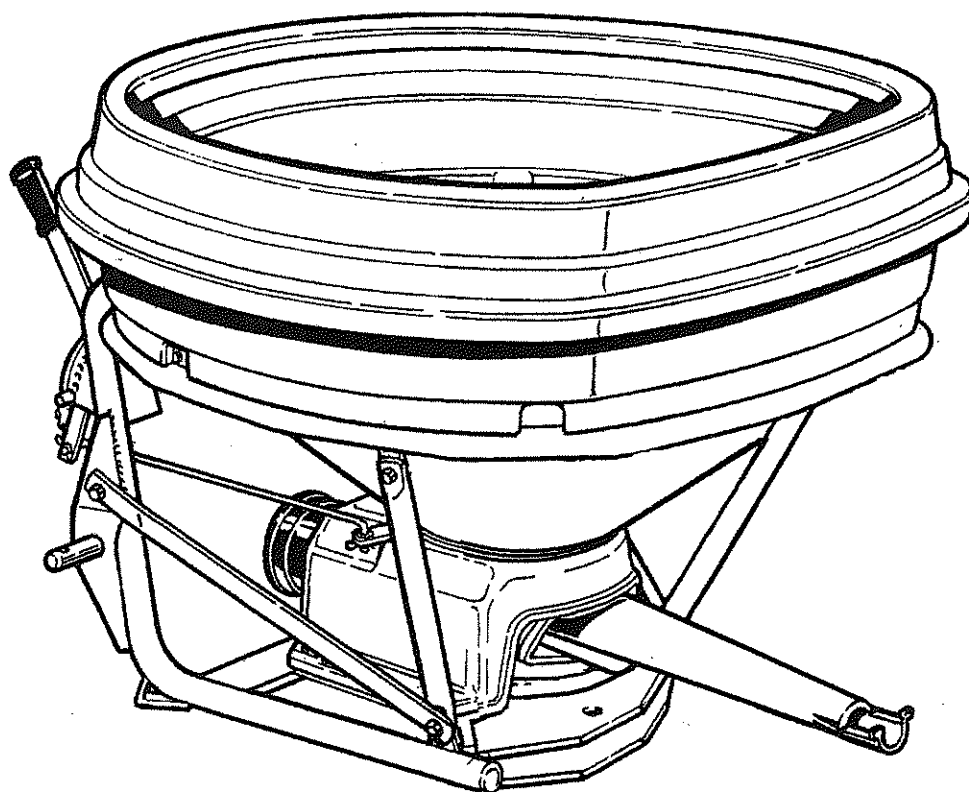


- P/US 406
- P/US 556
- P/US 706
- P/US 906

P



Cod. P EX-CEE

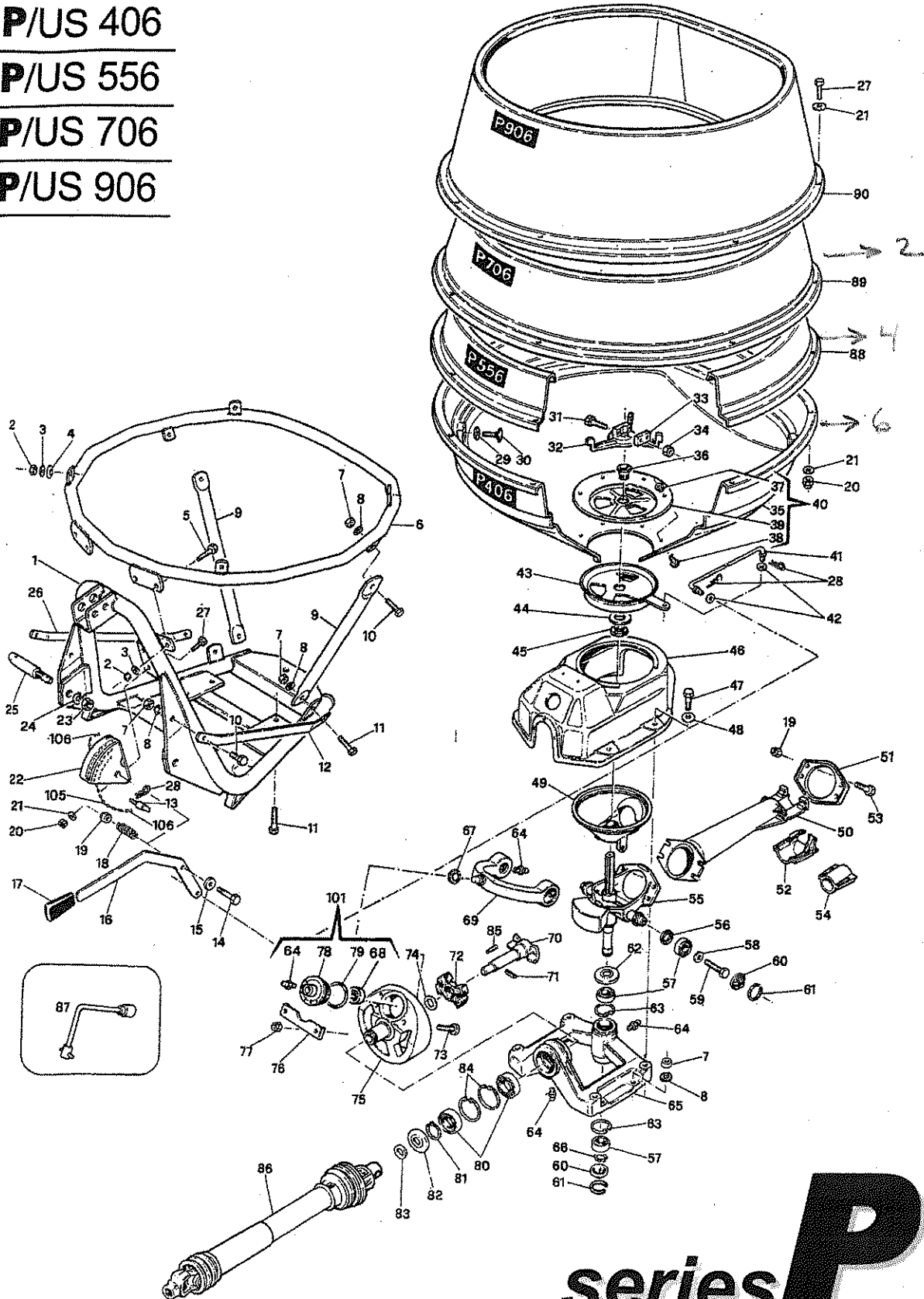
P/SPARE PARTS

P/US 406

P/US 556

P/US 706

P/US 906



series **P**

SPARE PARTS/P

REF.	CODE	Q.TY	DESCRIPTION	DESCRIZIONE
1	PD601101	1	FRAME PD60	TELAIO PD60
2	558710ZN	8	HEX NUT PG ZN M10 UNI 5587	DADO ES. ALTO PG ZN M10 UNI 5587
3	679810ZN	8	GALVANIZED WASHER M10	RONDELLA D.E.V. ZN M10 DIN 6798
4	659210ZN	4	GALVANIZED PLAIN WASHER M10	RONDELLA PIANA ZN M10 DIN 125/A
5	52371035	4	SCREW TE 10X35 ZN	VITE TEPF 8.8 ZN M10X35
6	PD601107	1	HOPPER RING	ANELLO PORTA TRAMOGGIA
7	558812ZN	10	GALVANIZED HEXAGON MEDIUM NUT M12	DADO ES. MEDIO PG ZN M12
8	679812ZN	10	WASHER DEV 12 ZN	RONDELLA D.E.V. ZN M12
9	PD601127	2	HOPPER BRACE	SUPPORTO VERTICALE TRAMOGGIA
10	52391235	4	BOLT M12X35 DIN 933	VITE TEIF 8.8 ZN M12X35
11	52371245	6	SCREW TE 12X45 ZN	VITE TEPF 8.8 ZN M12X45
12	PD601126	1	FRAME TIE ROD SX	TIRANTE TELAI0 SX
13	S5051011	1	STROKE STOP PIN	PERNO FINE CORSA
14	50371065	1	CAP SCREW 4.8 ZN M10X65 DIN 931	VITE TEPF 4.8 ZN M10X65 DIN 931
15	PR061015	1	BAKELITE WASHER	DISCHETTO BACHELITE
16	PD501017	1	FLOW ADJUSTMENT LEVER	LEVA APERTURA CONCIME
17	IMGO1030	1	RUBBER HANDLE 10X30	IMPUGNATURA GOMMA 10X30
18	PA251026	1	COMPRESSION-SPRING	MOLLA A COMPRESSIONE
19	747310ZN	6	GALVANIZED SELF-LOCKING HIGH NUT M10	DADO AUTOBL. ALTO ZN M10 DIN 982
20	747308ZN	16	GALVANIZED SELF-LOCKING HIGH NUT M8	DADO AUTOBLOCCANTE ALTO ZN M8
21	659208ZN	10	GALVANIZED PLAIN WASHER M8	RONDELLA PIANA ZN M8 DIN 125/A
22	PD601128	1	SELECTOR	ARCHETTO
23	558824ZF	2	NUT PF ZN M24	DADO ES. MEDIO PF ZN M24
24	175124ZN	2	WASHER GROWER ZN M24	RONDELLA GROWER ZN M24
25	S5051008	2	COUPLING PIN	PERNO ATTACCO PARALLELE
26	PD601125	1	FRAME TIE ROD DX	TIRANTE TELAI0 DX
27	52390830	16	GALVANIZED SCREW M8X30	VITE TEIF 8.8 ZN M8X30
28	80100250	3	COTTER PIN A R D.2 L.50	SPINA A R D.2 L.50
29	PD601010	4	WASHER FOR HOPPER	RONDELLA X TRAMOGGIA PD60
30	57321035	4	CUPHEAD SCREW 10X35 ZN	VITE T-TONDA 10X35 ZN
31	52121465	2	CAP SCREW 10.9 ZN M14X65	VITE TEPF 10.9 ZN M14X65
32	PD501241	1	AGITATOR PD	AGITATORE PD
33	PD501242A	1	AGITATOR FIXING PLATE	PIASTRINA BLOC.AGITATORE
34	508814ZN	2	NUT M14 ZN	DADO METALBLOC-M14 ZN
35	P4061001	1	P 406 HOPPER	TRAMOGGIA SENZA FONDO
36	PD601007	1	AGITATOR BUSH	BUSSOLA GUIDA AGITATORE
37	XL251004	6	NUT MA 6X11 TE.17	DADO MA 6X11 TE.17
38	XL251003	6	SCREW MA 6X11 TE.17	VITE MA 6X11 TE.17
39	P4061002	1	STAINLESS STEEL PLATE	FONDO INOX TRAMOGGIA PD60
40	P4061000	1	P406 HOPPER C/W PLATE	TRAMOGGIA + FONDO
41	PD601006	1	ADJUSTING BAR	COMP.TIRANTE DI REGOLAZIONE
42	PA251313	2	WASHER Ø=12	RONDELLA Ø=12
43	PD601001	1	DOSING DISC	DISCO DOSATURA/POLVERI
44	PR061011	1	RING	ANELLO RASAMENTO
45	GUK40150	1	RING NUT D.40X1,5	GHIERA AUTOBLOC.D.40X1,5
46	PD501225	1	GEAR-BOX GUARD	CARTER ESTERNO GRUPPO
47	52391025	4	GALVANIZED SCREW M10X25	VITE TEIF 8.8 ZN M10X25 DIN 933
48	659310ZN	4	WASHER M10X30 UNI 6593	RONDELLA CARROZZERIA M10X30 UNI6593
49	PD501204	1	CUP	CONVOGLIATORE INFERIORE
50	PD501210	1	PENDULUM SPOUT	TUBO OSCILLANTE
51	PD501209	1	COUPLING FLANGE	FLANGIA ATTACCO PENDOLO
52	PD501211	1	CUP (FULL WIDTH SPREADING)	COPPA SPAGLIO
53	52371050	4	GALVANIZED SCREW M10X50	VITE TEPF 8.8 ZN M10X50
54	PD501212	1	BUSHING	MANICOTTO DIRITTO
55	PD501217	1	SPOUT MOUNTING	SUPPORTO PENDOLO
56	6206AV00	2	RING 6206 AV	ANELLO NILOS 6206 AV
57	6206RS00	4	BEARING 6206 1RS	CUSCINETTO SFERE 6206-1RS
58	PD501223	2	WASHER	RONDELLA FISS.CUSCINETTO
59	52391280	2	SCREW 8.8 ZN M12X80	VITE TEIF 8.8 ZN M12X80
60	PD501224	3	FORK PROTECTION COVER	COPERCHIO PROTEZ.FORCELLA
61	BR620000	3	ELASTIC RING 62 I INA	ANELLO ELASTICO 62 I INA

P/SPARE PARTS

REF.	CODE	Q.TY	DESCRIPTION	DESCRIZIONE
62	PD501221	1	SHAFT COVER	PROTEZIONE ALBERO CENTRALE
63	74376200	2	LOCKING RING Ø=62	ANELLO SEEGER Ø=62
64	INGRA100	5	GREASER M6X1	INGRASSATORE A SFERA M6X1
65	PD501201	1	SPREADING UNIT MOUNTING	SUPPORTO GRUPPO PENDOLO
66	74353000	1	SNAP RING E D 30	ANELLO SEEGER E D.30
67	PD501222	1	FORK GUARD	CUFFIA PROTEZ.FORCELLA
68	6205RS00	1	BEARING 6205-1RS	CUSCINETTO SFERE 6205-1RS
69	PD501203	1	FORK	FORCELLA
70	PD501215B	1	SHAFT C/W JOINT	ALBERO GIUNTO CHIAVETTA
71	68730850	1	PIN D 8X50	SPINA ELASTICA D.8X50
72	PD501213	1	RUBBER SHOCK ABSORBER	AMMORTIZZATORE GOMMA
73	PD501250	2	LOCKING BOLT	VITE BLOCCAGGIO REGOLATORE
74	PD501226	1	WASHER	RONDELLA RASAMENTO
75	PD501205	1	FLYWHEEL	VOLANO MOTRICE
76	PD501218	1	FIXING-PLATE	PIASTRINA FISSAGGIO REGOLATORE
77	747312ZN	2	LOCKNUT ZN M12 DIN 982	DADO AUTOBL. ALTO ZN M12 DIN 982
78	PD501207	1	STROKE ADJUSTER	REGOLATORE CORSA
79	OR235000	1	RING OR-2350	GUARNIZIONE OR-2350
80	6011RS00	2	BEARING 6011-1RS	CUSCINETTO SFERE 6011-1RS
81	74355500	1	SNAP RING E D 55	ANELLO SEEGER E D.55
82	PD501220	1	FRONT COVER	COPERCHIO ANTERIORE
83	PD501228	1	WASHER	RONDELLA ANTERIORE
84	74379000	2	RING RETAINING D.90	ANELLO SEEGER I D.90
85	66040435	1	KEY 8X7X35	CHIAVETTA 8X7X35
86	30300004	1	PTO SHAFT - EC STANDARDS	ALBERO CARDANO NORME CE
87	PD501010	1	ADJUSTMENT WRENCH	CHIAVE REGOLAZIONE
88	P5561001	1	EXTENSION P 556	SPONDA SUPERIORE P 556
89	P7061001	1	EXTENSION P 706	SPONDA SUPERIORE P 706
90	P9061001	1	EXTENSION P 906	SPONDA SUPERIORE P 906
91	50370830	8	BOLT 4.8 ZN M8X30	VITE TEPF 4.8 ZN M8X30
101	PD5012070	1	ADJUSTER C/W BEARING	REGOLATORE CON CUSCINETTO
105	CAGE1014	1	CHAIN	CATENA LUNGA 14 MAGLIE
106	CAGES200	2	CHAIN HOOK	GANCIO A S PER CATENA GEN
€				

series P