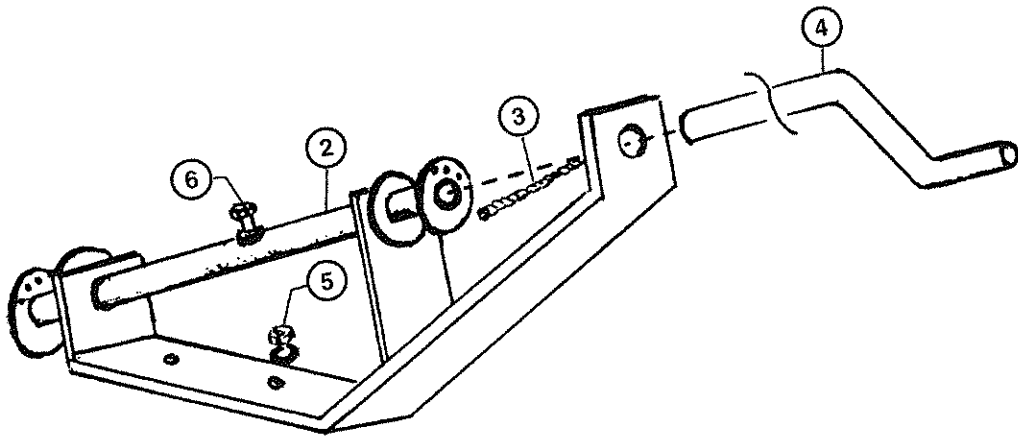


# AGRO TREND SNOWBLOWER MANUAL



## AGRO TREND MANUAL HOOD TURNERS

Item	Part Number	Description	Model				
			COMP	STD	FUS	FUD	HD
1	4230 - 12	Manual Hood Turner Pkg.	1				
	4230 - 15	Manual Hood Turner Pkg.		1			
	4230 - 20	Manual Hood Turner Pkg.			1		
2	4030 - 10	Manual Hood Turner	1	1			
	4030 - 20	Manual Hood Turner			1		
3	5420 - 0501 - 60	1/8 Galv. Cable (60")	1				
	5420 - 0501 - 70	1/8 Galv. Cable (70")		1			
	5420 - 0501 - 80	1/8 Galv. Cable (80")			1		
4	4030 - 12	Hand Crank	1	1			
	4030 - 22	Hand Crank			1		
5	O.L.	3/8 Hex Nut & L.W.	2	2	2		
6	O.L.	Hex Bolt 3/8 x 1	1	1	1		

## CABLE INSTALLATION

1. Turn chute to point directly ahead of blower. (Auger side)
2. Run cable through nuts, tie simple knot around one nut.
3. PTO Side: Feed cable under spool and wrap around spool 4 turns. Weave remaining cable end through holes in end washer and pull tight.
4. Auger Side: Feed cable over spool and wrap around spool 4 turns. Weave remaining cable end through holes in end washer and pull tight.